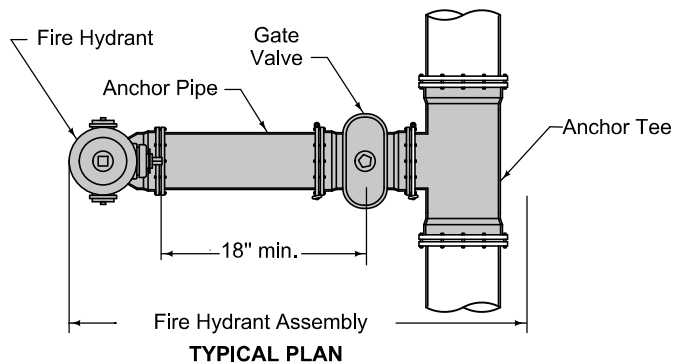
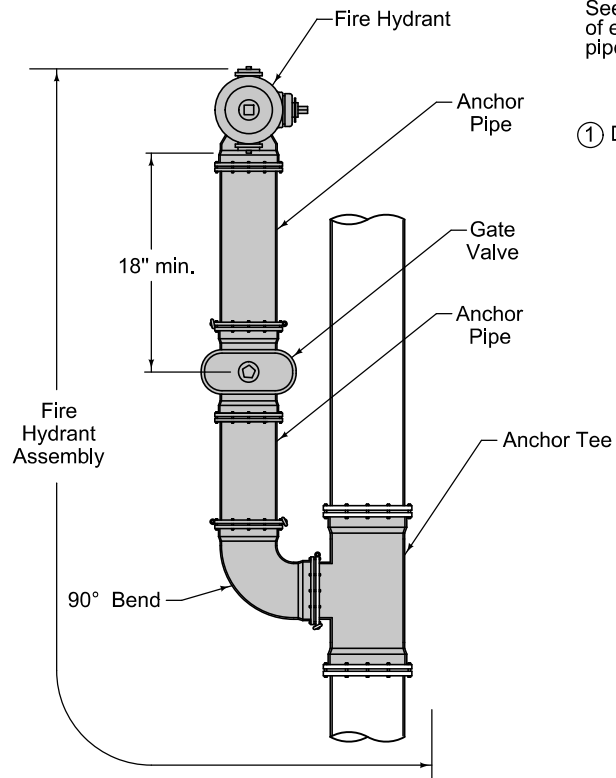


TYPICAL SECTION



TYPICAL PLAN



ALTERNATE PLAN

Use ductile iron pipe with restrained mechanical joints for fire hydrant assembly and anchor tee.

All shaded items are included in the Fire Hydrant Assembly bid item.

See the contract documents for the location of each hydrant and the length of anchoring pipe.

① Do not cover drain holes or tracer wire.

FIGURE 5020.201 SHEET 1 OF 1

SUDAS	IOWADOT	REVISION
		4   04-19-22
FIGURE 5020.201	STANDARD ROAD PLAN	WM-201
		SHEET 1 of 1
REVISIONS: Added general note for location and length.		
Paul D. Wigand SUDAS DIRECTOR		Stuart Miller DESIGN METHODS ENGINEER
FIRE HYDRANT ASSEMBLY		