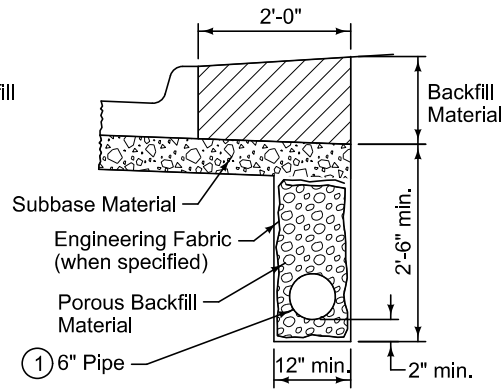
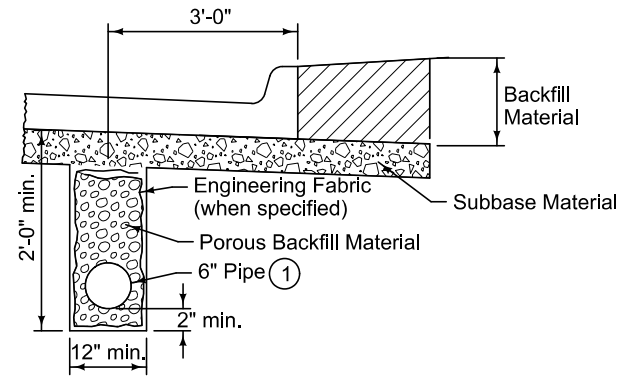


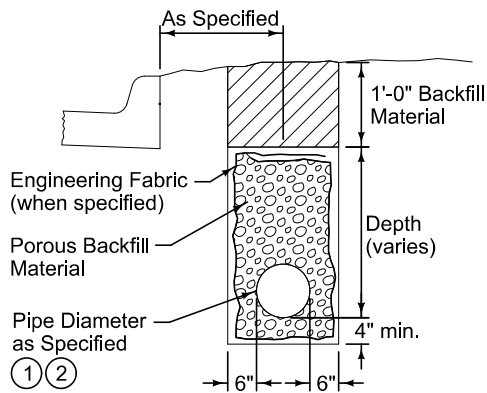
CASE A  
TYPE 1



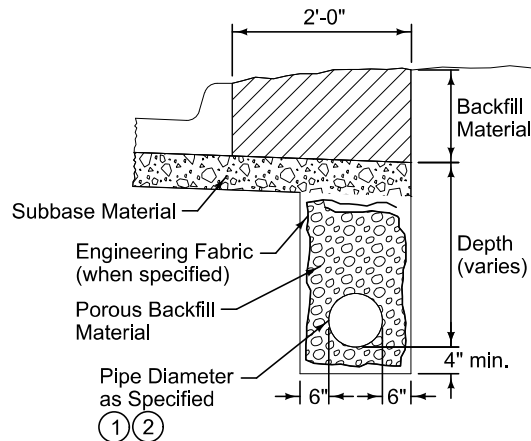
CASE B  
TYPE 1



CASE C  
TYPE 1




CASE D  
TYPE 2



CASE E  
TYPE 2

Type 1 installation is for longitudinal subdrain only. Type 2 installation is for combination subdrain/footing drain collectors.

- ① Place perforations down for all installations.
- ② When concrete pipe is specified, wrap pipe joints with engineering fabric. Do not apply joint sealant. Comply with Figure 4020.211

	<b>SUDAS</b> 4040.231	REVISION 1   10-21-14
	SHEET 1 of 1	
SUDAS Standard Specifications		
SUBDRAINS		