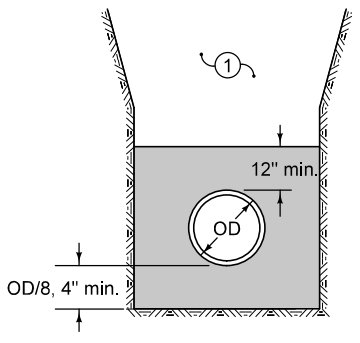
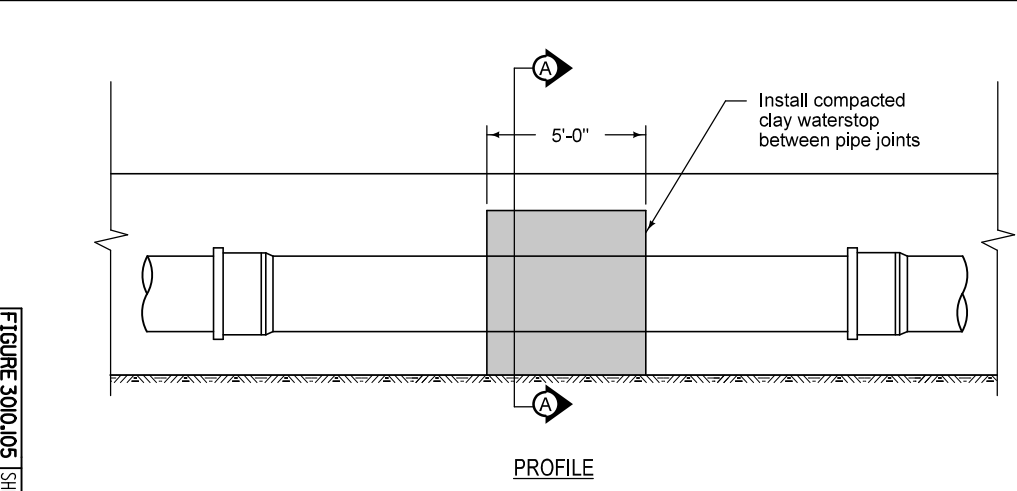


- ① Place remainder of bedding and backfill material as specified in the contract documents.
- ② Place encasement material in two lifts, or as required to prevent pipe flotation. Allow previous lift to reach initial set prior to placing subsequent lifts.
- ③ Restrain pipe as necessary to prevent flotation.
- ④ When specified in the contract documents, install waterstops at a nominal spacing of 800 feet or at locations as specified by the Engineer.



WATERSTOP FOR TRENCHES ④

FIGURE 3010.105 SHEET 1 OF 1

SUDAS IOWADOT	REVISION 2 04-17-18
	SW-105 SHEET 1 of 1
REVISIONS: Replaced Iowa DOT and SUDAS logos.	
<i>Paul D. Wigand</i> SUDAS DIRECTOR	<i>Brian Smith</i> DESIGN METHODS ENGINEER

MISCELLANEOUS PIPE BEDDING