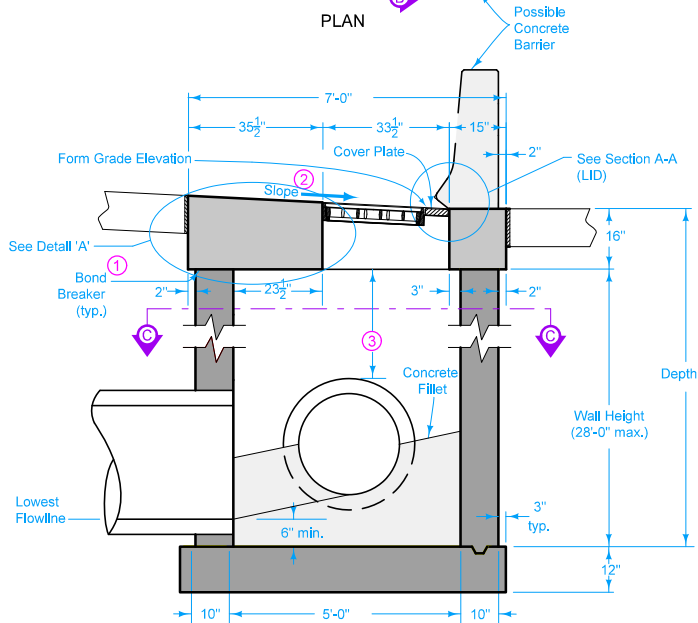
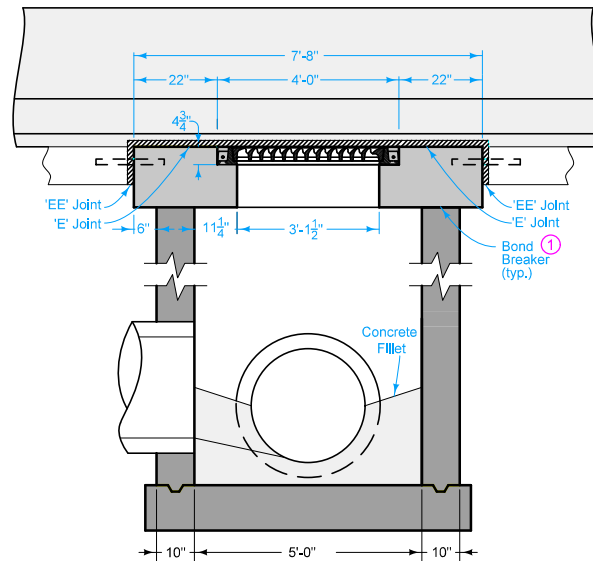


Dimensions		
"S" (%)	"H1" (In.)	"H2" (In.)
1	16.33	16.69
2	16.67	17.38
3	17.00	18.07
4	17.33	18.76
5	17.67	19.45
6	18.00	20.14

DETAIL 'A'



SECTION A-A



SECTION B-B

Cover plate and edge armor steel to be ASTM A 36, galvanized after fabrication.

Remove cover plate before constructing concrete barrier.

Cast frames into intake top so tops of grates are 1/4" below Form Grade Elevation. Bolt intake frames together on both sides with four 1/2" x 4" bolts.

For joint details, refer to PV-101.

Maximum pipe diameter is 48 inches.

- ① Trowel smooth and place two layers of 30 pound roofing felt to prevent bond.
- ② Match slope of top and grade to slope of adjacent pavement.
- ③ 12 inch minimum wall height above all pipes.

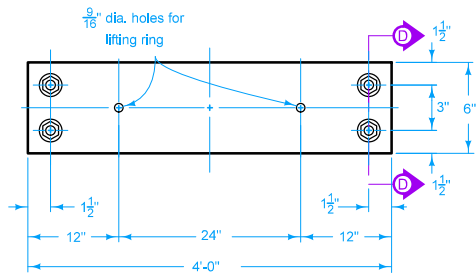
Possible Contract Item:

Barrier Intake, SW-549

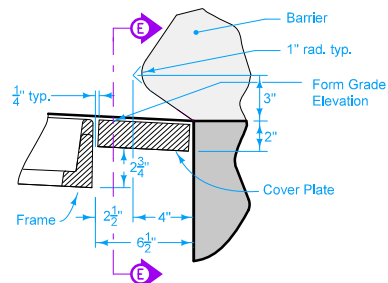
Possible Tabulation:

104-5B

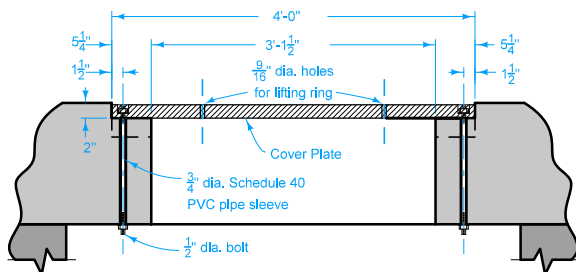
 STANDARD ROAD PLAN	REVISION
	5 04-17-18
	SW-549
SHEET 1 of 5	
REVISIONS: Changed 'invert' callout to 'Concrete Fillet'. Added maximum pipe diameter.	
APPROVED BY DESIGN METHODS ENGINEER <i>Brian Smith</i>	
SINGLE-GRATE BARRIER INTAKE, RECTANGULAR	



PLAN

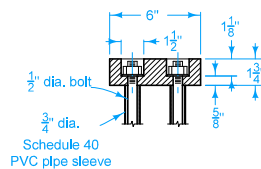


SECTION A-A
(LID)

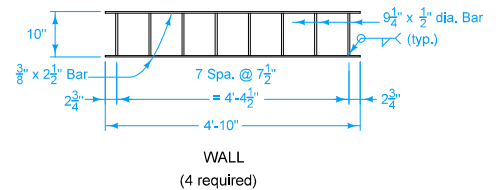
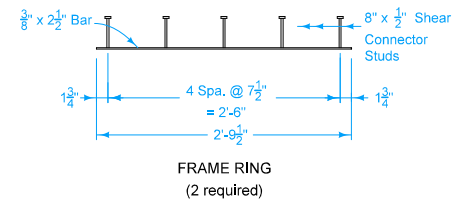


SECTION E-E

COVER PLATE

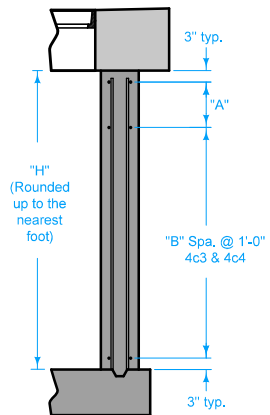


SECTION D-D

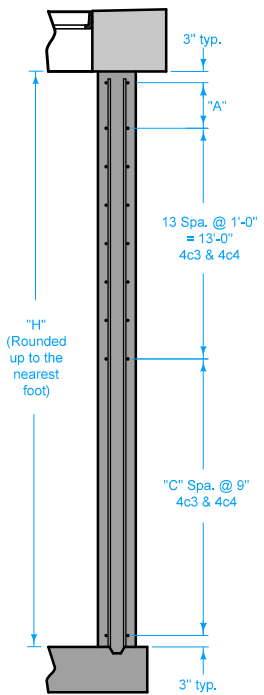


EDGE ARMOR

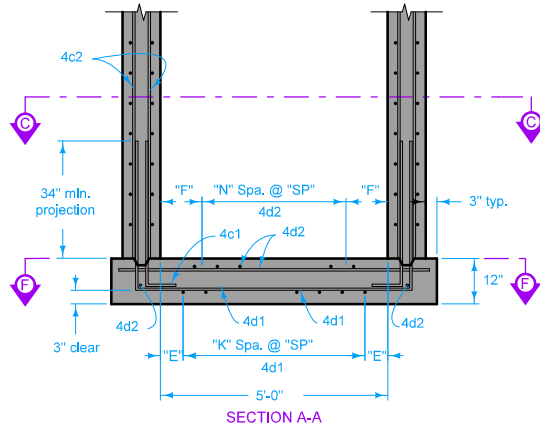
	REVISION
	5 04-17-18
STANDARD ROAD PLAN	SW-549
SHEET 2 of 5	
REVISIONS: Changed 'invert' callout to 'Concrete Fillet'. Added maximum pipe diameter.	
APPROVED BY DESIGN METHODS ENGINEER <i>Brian Smith</i>	
SINGLE-GRATE BARRIER INTAKE, RECTANGULAR	



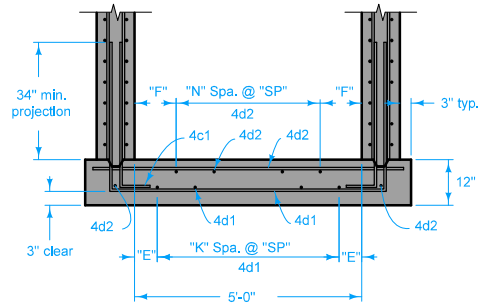
PART SECTION A-A
(Where H = 3' to 14')



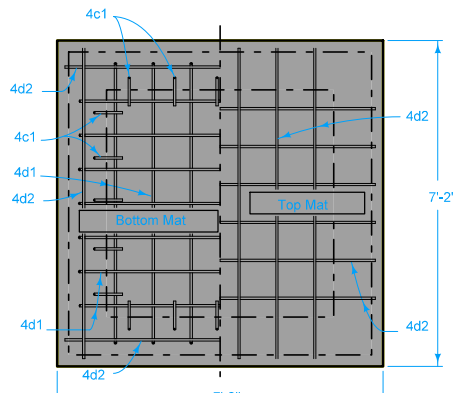
PART SECTION A-A
(Where H = 15' to 28')



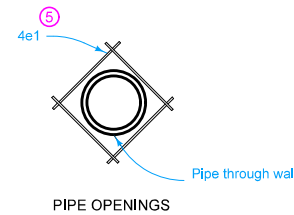
SECTION A-A



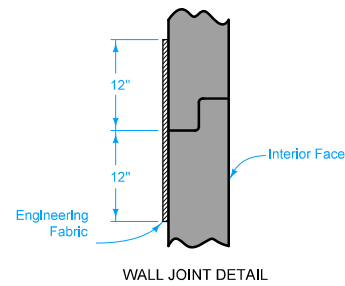
SECTION B-B



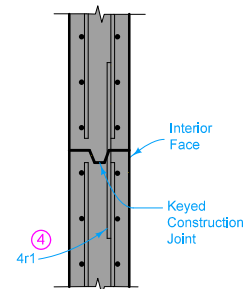
SECTION F-F
BASE REINFORCING



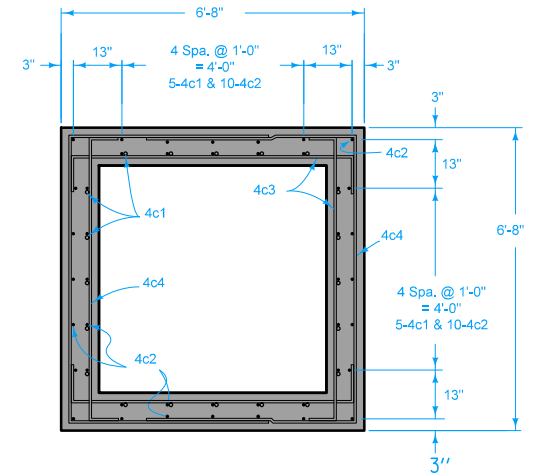
PIPE OPENINGS



WALL JOINT DETAIL



C.I.P. WALL
CONSTRUCTION JOINT

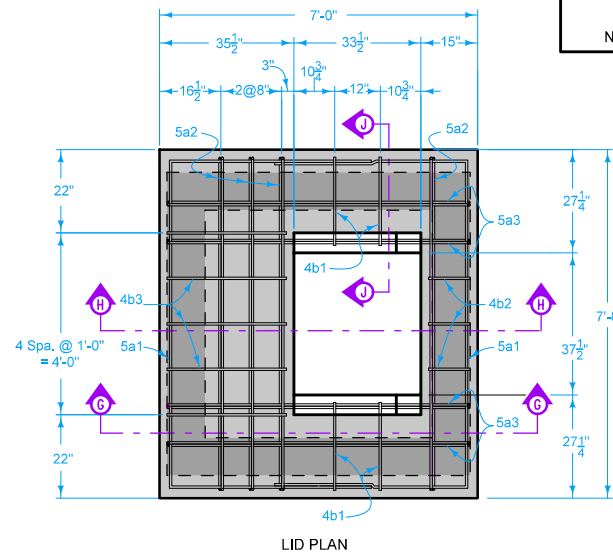
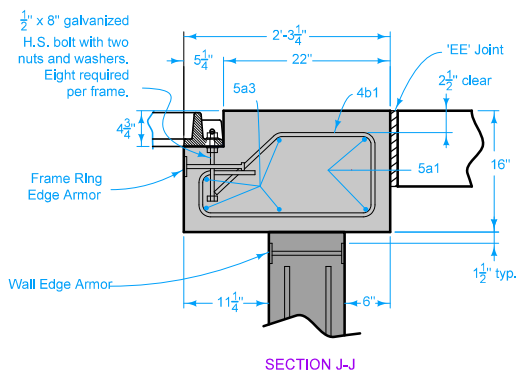
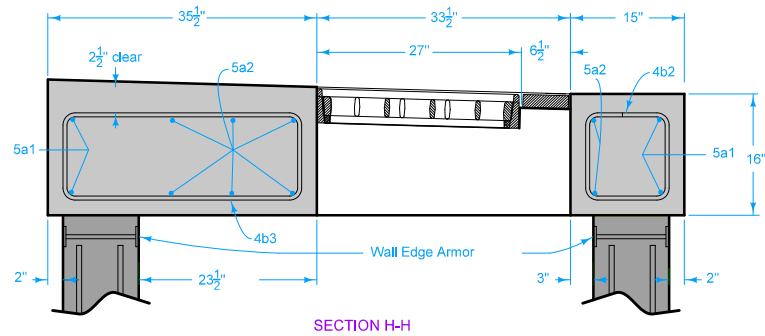
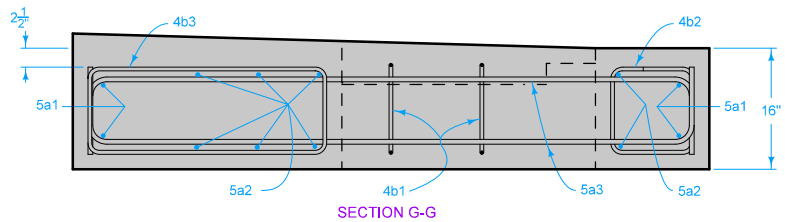


SECTION C-C

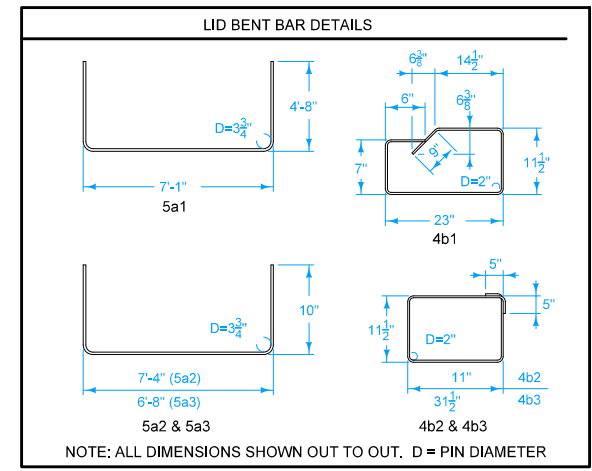
- ④ Install 4r1 x 3'-0" dowel bars at 12-inch spacing at all wall joints. Twenty-four 4r1 bars required per joint, total weight = 48 lbs.
- ⑤ 4e1 bar length to be pipe diameter plus 12 inches. Place 4e1 bar inside of vertical reinforcing. Shift main reinforcing bars as required for pipe entrance. Field cut bars to maintain 3 inch clearance from bottom and 2 inch clearance from face of walls. Four 4e1 bars required per pipe entrance.

WALLS

 STANDARD ROAD PLAN	REVISION
	5 04-17-18
	SW-549
SHEET 3 of 5	
REVISIONS: Changed "Invert" callout to "Concrete Fillet". Added maximum pipe diameter.	
APPROVED BY DESIGN METHODS ENGINEER 	
SINGLE-GRATE BARRIER INTAKE, RECTANGULAR	



LID REINFORCING BAR LIST					
EPOXY-COATED					
BAR	LOCATION	SHAPE	NO.	LENGTH	WEIGHT (lb.)
5a1	Lid, Exterior Edge	L	4	16'-5	68
5a2	Lid, Interior, Longitudinal	L	8	9'-0	75
5a3	Lid, Interior, Transverse	L	8	8'-4	70
4b1	Lid Hoop	H	4	5'-11	16
4b2	Lid Hoop	H	3	4'-7	9
4b3	Lid Hoop	H	5	8'-0	27
EPOXY COATED REINFORCING STEEL - TOTAL					265

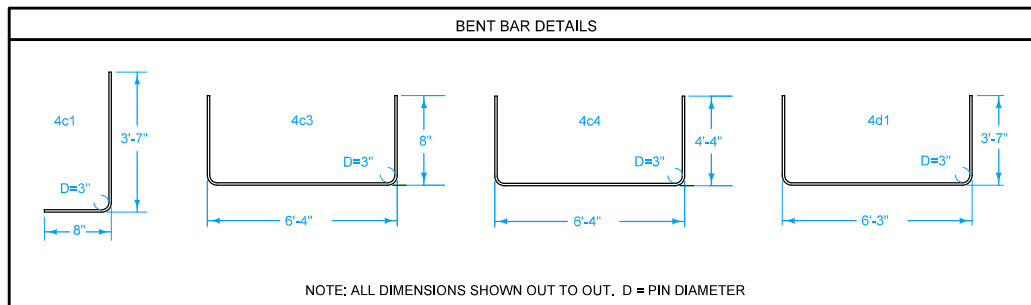


 STANDARD ROAD PLAN	REVISION
	5 04-17-18
	SW-549
SHEET 4 of 5	
<small>REVISIONS: Changed 'invert' callout to 'Concrete Fillet'. Added maximum pipe diameter.</small>	
<i>Brian Smith</i> <small>APPROVED BY DESIGN METHODS ENGINEER</small>	
SINGLE-GRATE BARRIER INTAKE, RECTANGULAR	

VARIABLE DIMENSIONS AND QUANTITIES

Dimensions				Bar List																Quantities								
"H" (Ft.)	"A" (In.)	"E" (In.)	"F" (In.)	4c1		4c2		4c3 (7)				4c4 (7)				4d1				4d2				Concrete - Cu. Yds.				Steel (8)
				NO.	L	NO.	L	No. of Spaces		NO.	L	No. of Spaces		NO.	L	SP	"K"	NO.	L	SP	"N"	NO.	L	BASE	LID	WALLS	TOTAL	TOTAL LBS.
								"B"	"C"			"B"	"C"															
3	6	3"	7 1/2"	20	4'-3"	--	--	2	--	16	7'-8"	2	--	8	15'-0"	9"	6	14	13'-5"	9"	5	16	6'-10"	1.9	2.2	2.2	6.3	682
4	6	3"	7 1/2"	20	4'-3"	44	3'-10"	3	--	20	7'-8"	3	--	10	15'-0"	9"	6	14	13'-5"	9"	5	16	6'-10"	1.9	2.2	2.9	7.0	835
5	6	3"	7 1/2"	20	4'-3"	44	4'-10"	4	--	24	7'-8"	4	--	12	15'-0"	9"	6	14	13'-5"	9"	5	16	6'-10"	1.9	2.2	3.6	7.7	905
6	6	3"	7 1/2"	20	4'-3"	44	5'-10"	5	--	28	7'-8"	5	--	14	15'-0"	9"	6	14	13'-5"	9"	5	16	6'-10"	1.9	2.2	4.3	8.4	974
7	6	3"	7 1/2"	20	4'-3"	44	6'-10"	6	--	32	7'-8"	6	--	16	15'-0"	9"	6	14	13'-5"	9"	5	16	6'-10"	1.9	2.2	5.0	9.1	1,045
8	6	3"	7 1/2"	20	4'-3"	44	7'-10"	7	--	36	7'-8"	7	--	18	15'-0"	9"	6	14	13'-5"	9"	5	16	6'-10"	1.9	2.2	5.8	9.9	1,114
9	6	3"	7 1/2"	20	4'-3"	44	8'-10"	8	--	40	7'-8"	8	--	20	15'-0"	9"	6	14	13'-5"	9"	5	16	6'-10"	1.9	2.2	6.5	10.6	1,185
10	6	3"	7 1/2"	20	4'-3"	44	9'-10"	9	--	44	7'-8"	9	--	22	15'-0"	9"	6	14	13'-5"	9"	5	16	6'-10"	1.9	2.2	7.2	11.3	1,254
11	6	2"	6"	20	4'-3"	44	10'-10"	10	--	48	7'-8"	10	--	24	15'-0"	8"	7	16	13'-5"	8"	6	18	6'-10"	1.9	2.2	7.9	12.0	1,351
12	6	2"	6"	20	4'-3"	44	11'-10"	11	--	52	7'-8"	11	--	26	15'-0"	8"	7	16	13'-5"	8"	6	18	6'-10"	1.9	2.2	8.6	12.7	1,422
13	6	2"	6"	20	4'-3"	44	12'-10"	12	--	56	7'-8"	12	--	28	15'-0"	8"	7	16	13'-5"	8"	6	18	6'-10"	1.9	2.2	9.4	13.5	1,492
14	6	2"	6"	20	4'-3"	44	13'-10"	13	--	60	7'-8"	13	--	30	15'-0"	8"	7	16	13'-5"	8"	6	18	6'-10"	1.9	2.2	10.1	14.2	1,562
15	9	2"	6"	20	4'-3"	44	14'-10"	13	1	64	7'-8"	13	1	32	15'-0"	8"	7	16	13'-5"	8"	6	18	6'-10"	1.9	2.2	10.8	14.9	1,632
16	12	2"	6"	20	4'-3"	44	15'-10"	13	2	68	7'-8"	13	2	34	15'-0"	8"	7	16	13'-5"	8"	6	18	6'-10"	1.9	2.2	11.5	15.6	1,701
17	6	2"	6"	20	4'-3"	44	16'-10"	13	4	76	7'-8"	13	4	38	15'-0"	8"	7	16	13'-5"	8"	6	18	6'-10"	1.9	2.2	12.2	16.3	1,812
18	9	2"	6"	20	4'-3"	44	17'-10"	13	5	80	7'-8"	13	5	40	15'-0"	8"	7	16	13'-5"	8"	6	18	6'-10"	1.9	2.2	13.0	17.1	1,882
19	12	2"	6"	20	4'-3"	44	18'-10"	13	6	84	7'-8"	13	6	42	15'-0"	8"	7	16	13'-5"	8"	6	18	6'-10"	1.9	2.2	13.7	17.8	1,952
20	6	2"	6"	20	4'-3"	44	19'-10"	13	8	92	7'-8"	13	8	46	15'-0"	8"	7	16	13'-5"	8"	6	18	6'-10"	1.9	2.2	14.4	18.5	2,062
21	9	2"	6"	20	4'-3"	44	20'-10"	13	9	96	7'-8"	13	9	48	15'-0"	8"	7	16	13'-5"	8"	6	18	6'-10"	1.9	2.2	15.1	19.2	2,132
22	12	2"	6"	20	4'-3"	44	21'-10"	13	10	100	7'-8"	13	10	50	15'-0"	8"	7	16	13'-5"	8"	6	18	6'-10"	1.9	2.2	15.8	19.9	2,202
23	6	2"	6"	20	4'-3"	44	22'-10"	13	12	108	7'-8"	13	12	54	15'-0"	8"	7	16	13'-5"	8"	6	18	6'-10"	1.9	2.2	16.6	20.7	2,312
24	9	2"	5 1/2"	20	4'-3"	44	23'-10"	13	13	112	7'-8"	13	13	56	15'-0"	7"	8	18	13'-5"	7"	7	20	6'-10"	1.9	2.2	17.3	21.4	2,410
25	12	2"	5 1/2"	20	4'-3"	44	24'-10"	13	14	116	7'-8"	13	14	58	15'-0"	7"	8	18	13'-5"	7"	7	20	6'-10"	1.9	2.2	18.0	22.1	2,479
26	6	2"	5 1/2"	20	4'-3"	44	25'-10"	13	16	124	7'-8"	13	16	62	15'-0"	7"	8	18	13'-5"	7"	7	20	6'-10"	1.9	2.2	18.7	22.8	2,589
27	9	2"	5 1/2"	20	4'-3"	44	26'-10"	13	17	128	7'-8"	13	17	64	15'-0"	7"	8	18	13'-5"	7"	7	20	6'-10"	1.9	2.2	19.4	23.5	2,660
28	12	2"	5 1/2"	20	4'-3"	44	27'-10"	13	18	132	7'-8"	13	18	66	15'-0"	7"	8	18	13'-5"	7"	7	20	6'-10"	1.9	2.2	20.2	24.3	2,729

- (6) A = First bar spacing at top of wall. Minimum spacing is 3 inches. Maximum spacing is 12 inches. Adjust as necessary.
- (7) See Section A-A on sheet 2 for spacing.
- (8) Quantity includes 265 lbs. for lid.



REINFORCEMENT

 STANDARD ROAD PLAN	REVISION
	5 04-17-18
	SW-549 SHEET 5 of 5
REVISIONS: Changed 'invert' callout to 'Concrete Filled'. Added maximum pipe diameter.	
 APPROVED BY DESIGN METHODS ENGINEER	
SINGLE-GRATE BARRIER INTAKE, RECTANGULAR	