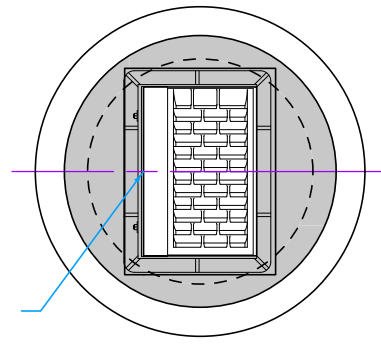


TYPICAL SECTION



PLAN

- Refer to SW-514 for boxout details.
- ① SW-603 Type R unless Type Q is specified in the contract documents.
 - ② Cast-in-place base shown. Base may be square. If base is precast integral with walls, the footprint of the base is not required to extend beyond the outer edge of the walls.
 - ③ For additional configurations, maintain a minimum of 12 inches of concrete between vertical edges of pipe openings.
 - ④ 12 inch minimum riser height above all pipes.

Manhole Diameter (inches)	Maximum Pipe Diameter (inches) for 2 Pipes ③	
	at 180° Separation	at 90° Separation
48	24	18
60	36	24
72	42	30
84	48	36
96	60	42

FIGURE 6010.502 SHEET 10F

SUDAS	IOWADOT	REVISION
		1 04-21-20
FIGURE 6010.502	STANDARD ROAD PLAN	SW-502
		SHEET 1 of 1
REVISIONS: Added Class I Bedding Material.		
Paul D. Wiegand SUDAS DIRECTOR		Steve Miller DESIGN METHODS ENGINEER
CIRCULAR SINGLE GRATE INTAKE		