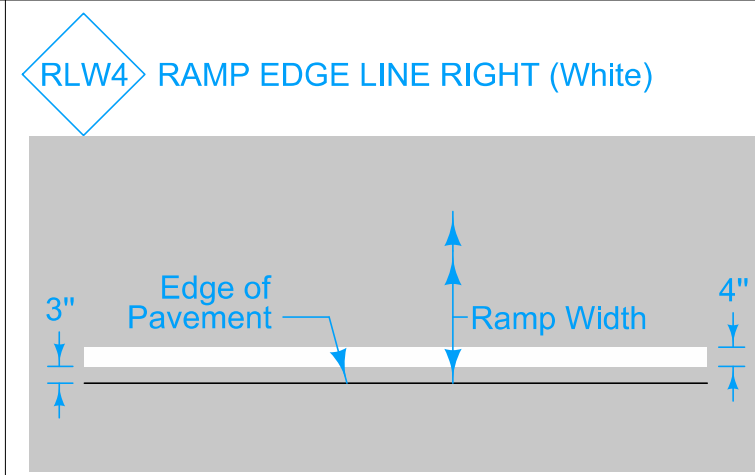
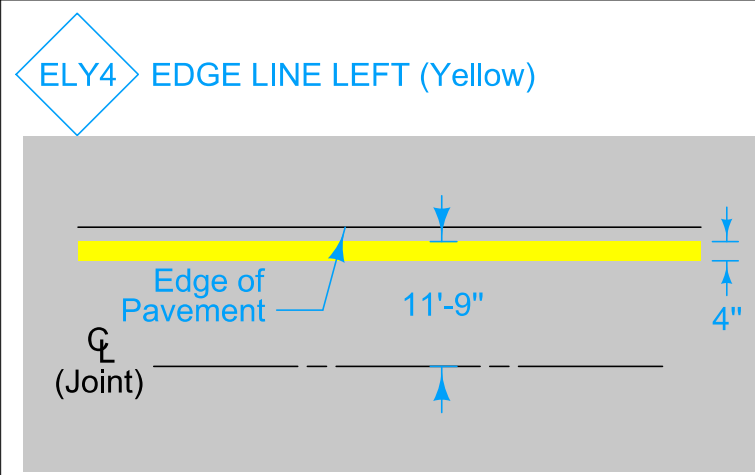
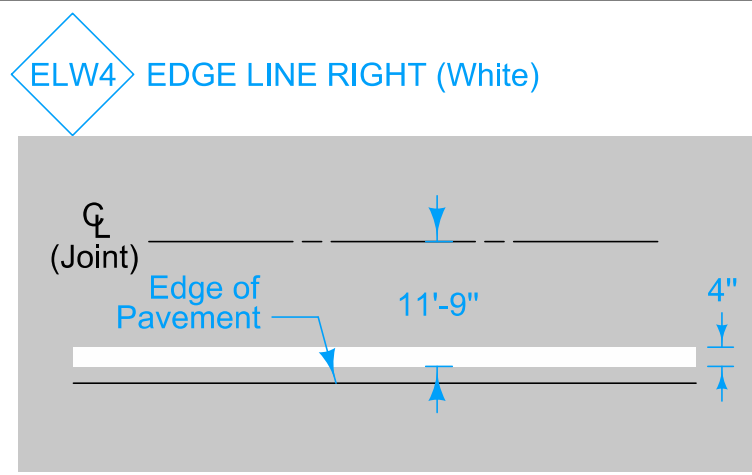
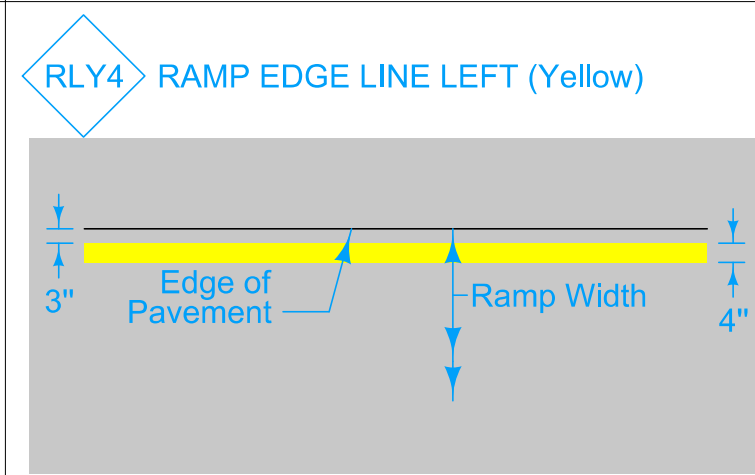
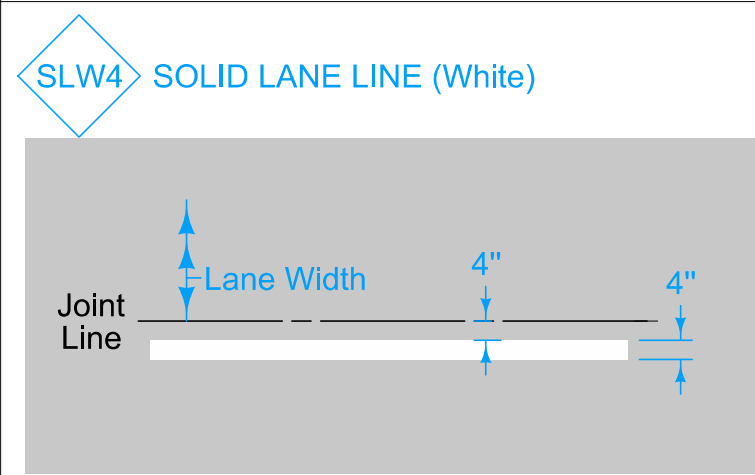
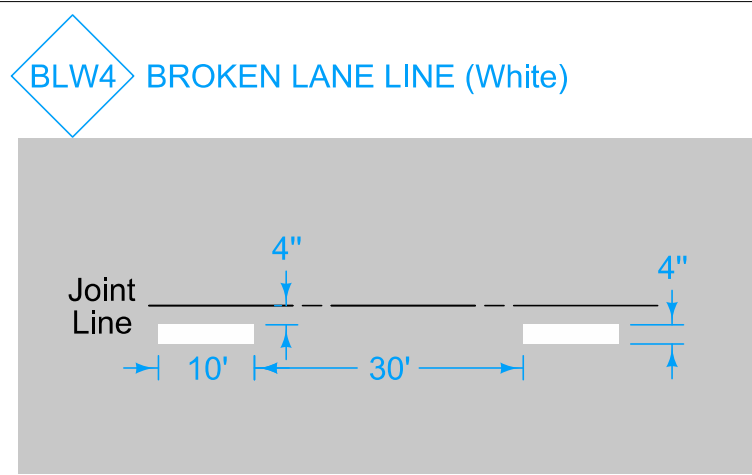


Lane layouts shown are typical.

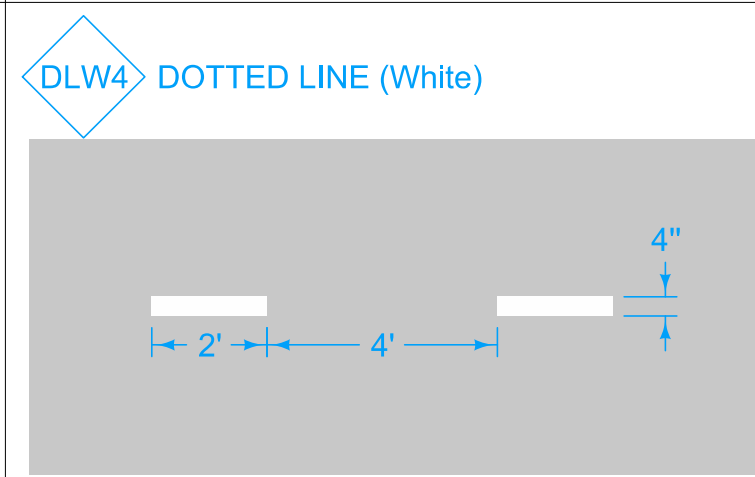
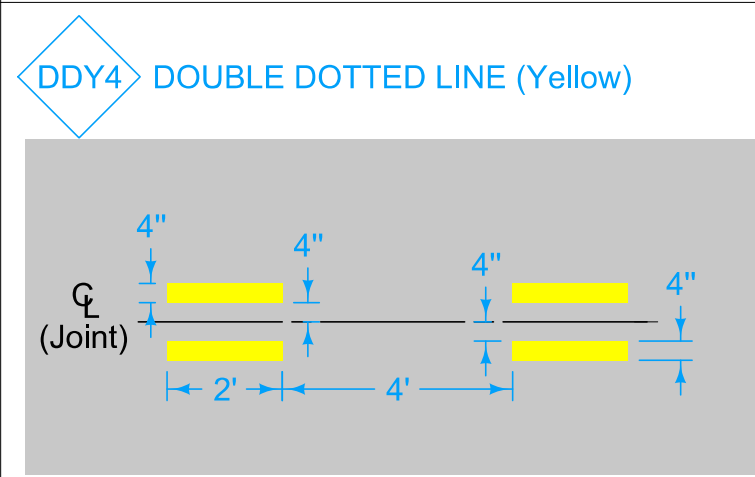
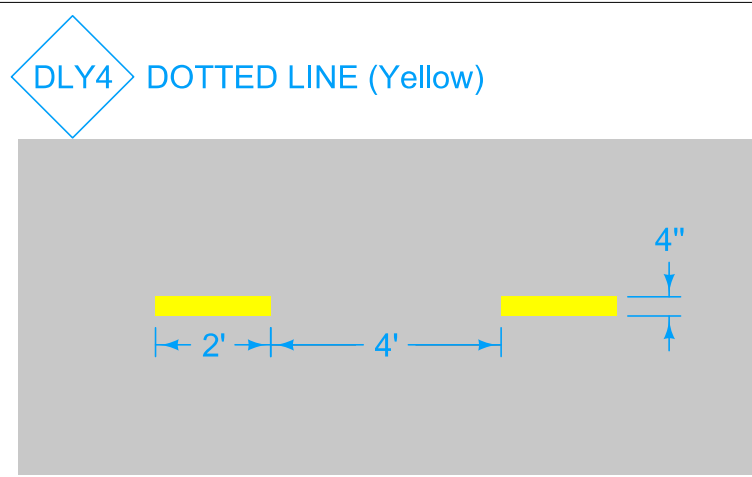
Centerlines and lane lines may be painted either side of centerline.

Drawings on sheets 1, 2 and 3 are oriented to represent direction of traffic moving from left to right.



Possible Contract Item:
Pavement Marking Line Items

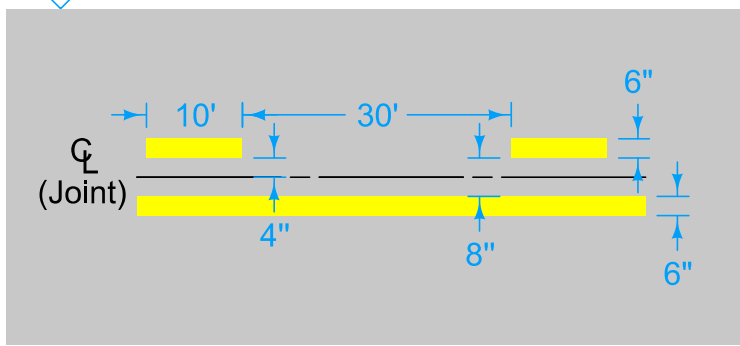
Possible Tabulation:
108-22



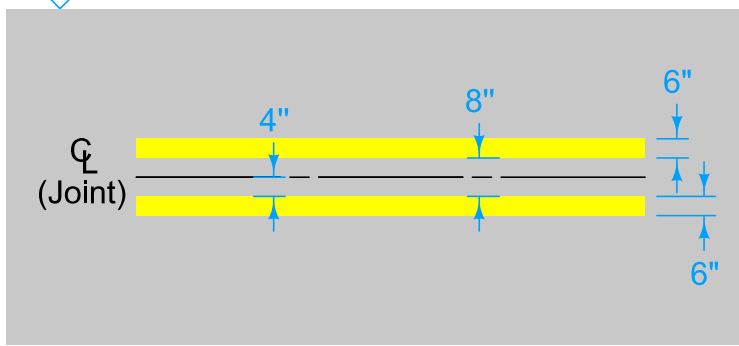
	REVISION	
	4	04-16-24
	PM-110 SHEET 1 of 4	
REVISIONS: Added BCY6, BLC6, BLW6, CHW10, CHY10, DCY6, DDY6, DLW6, DLY6, ELY6, LDW10, NPY6, RLW6, RLY6, SLW6. Changed MNY4 to MNY6		
APPROVED BY DESIGN METHODS ENGINEER		

LINE TYPES

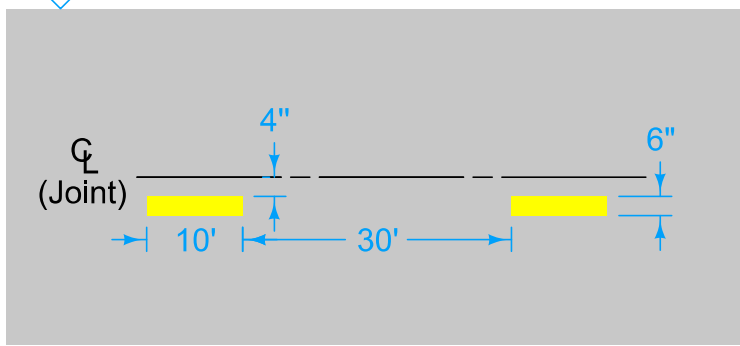
NPY6 NO PASSING ZONE LINE (Yellow)



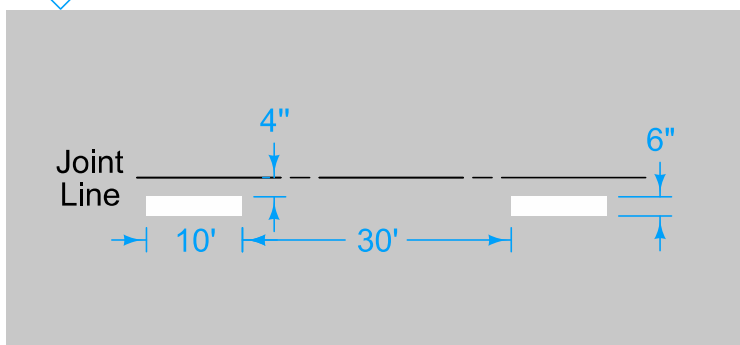
DCY6 DOUBLE CENTERLINE (Yellow)



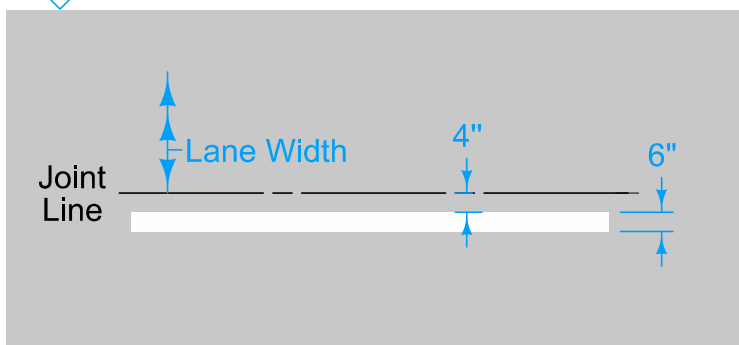
BCY6 BROKEN CENTERLINE (Yellow)



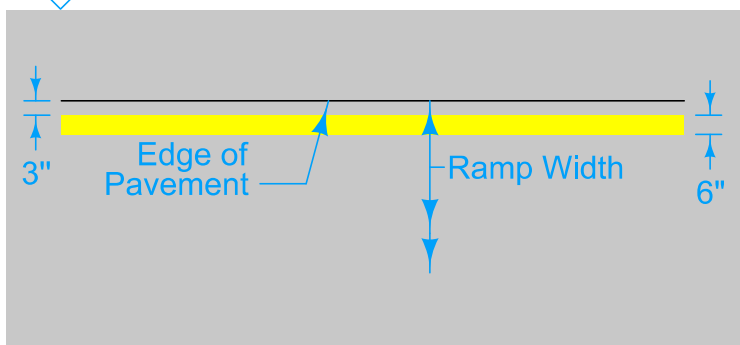
BLW6 BROKEN LANE LINE (White)



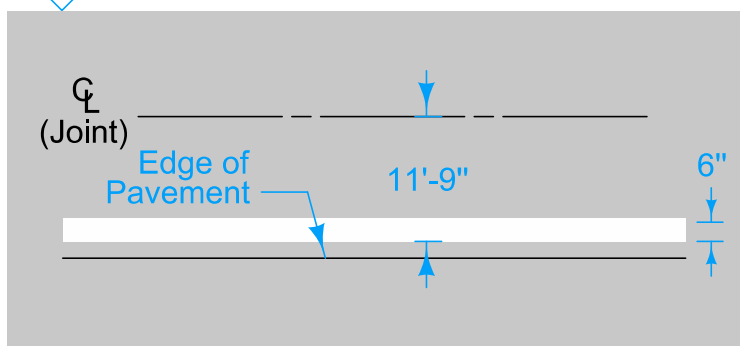
SLW6 SOLID LANE LINE (White)



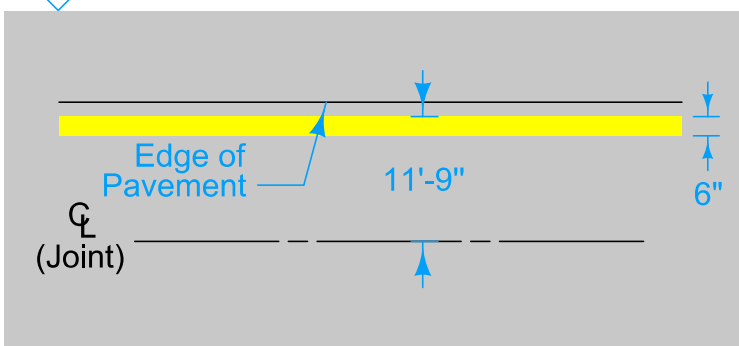
RLY6 RAMP EDGE LINE LEFT (Yellow)



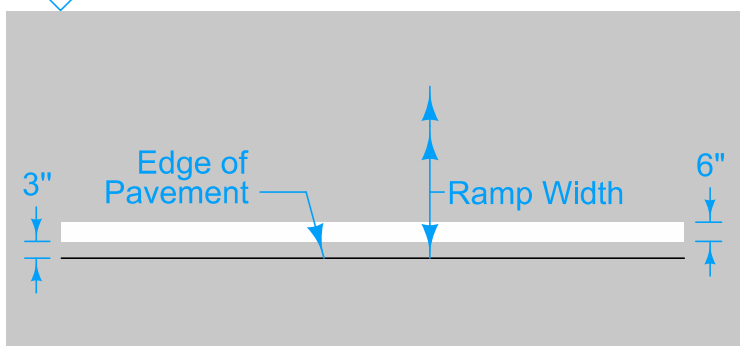
ELW6 EDGE LINE RIGHT (White)



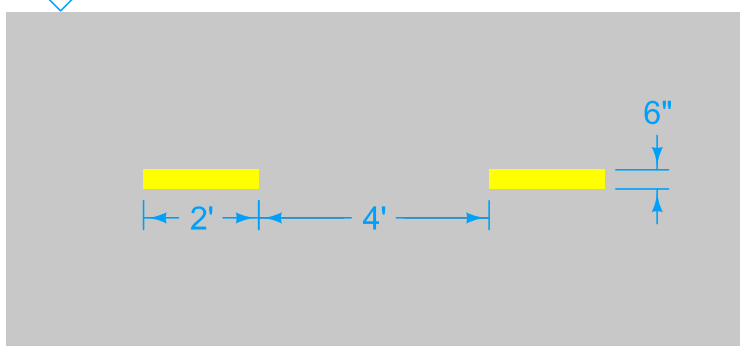
ELY6 EDGE LINE LEFT (Yellow)



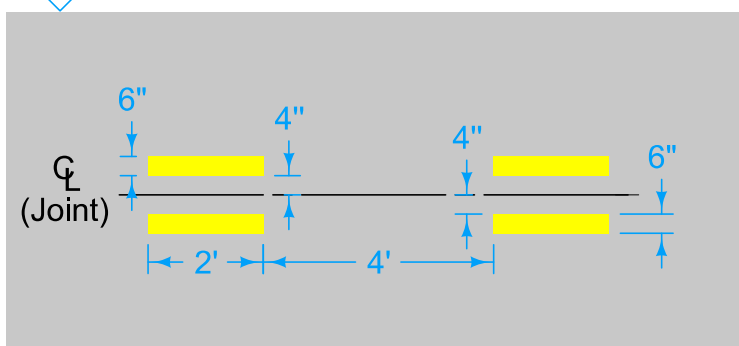
RLW6 RAMP EDGE LINE RIGHT (White)



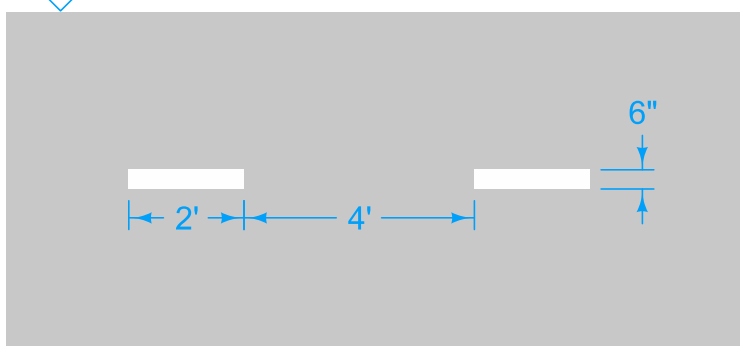
DLY6 DOTTED LINE (Yellow)



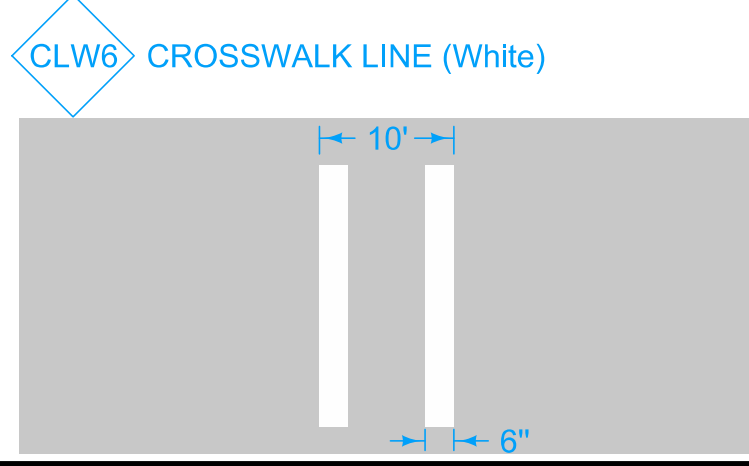
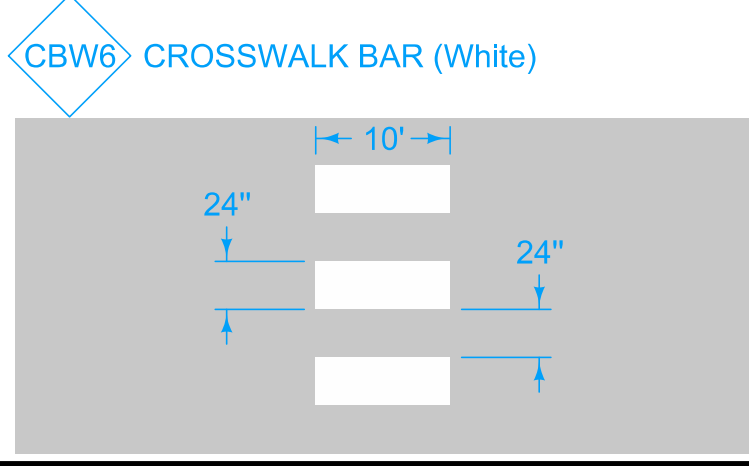
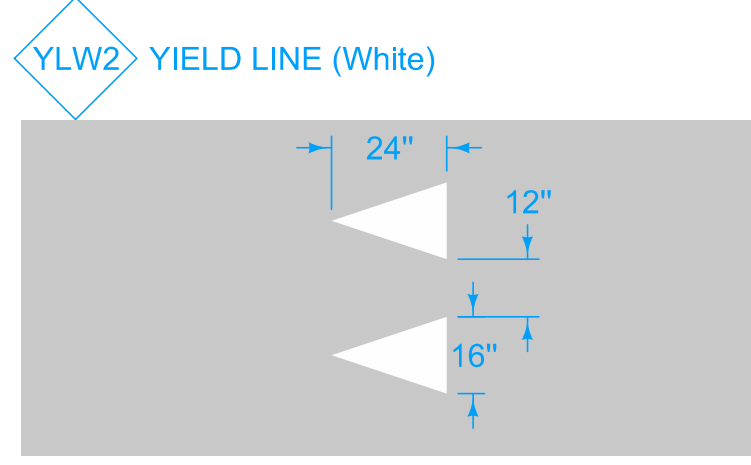
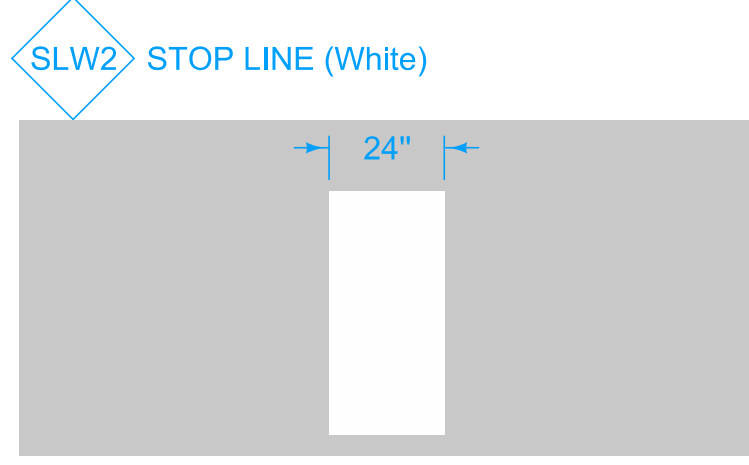
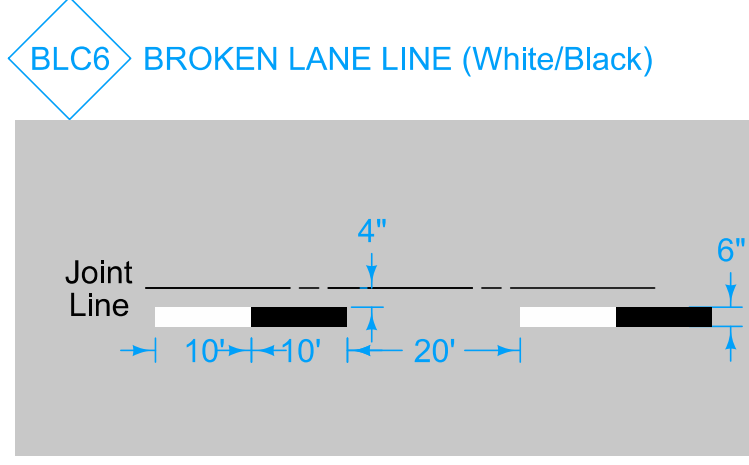
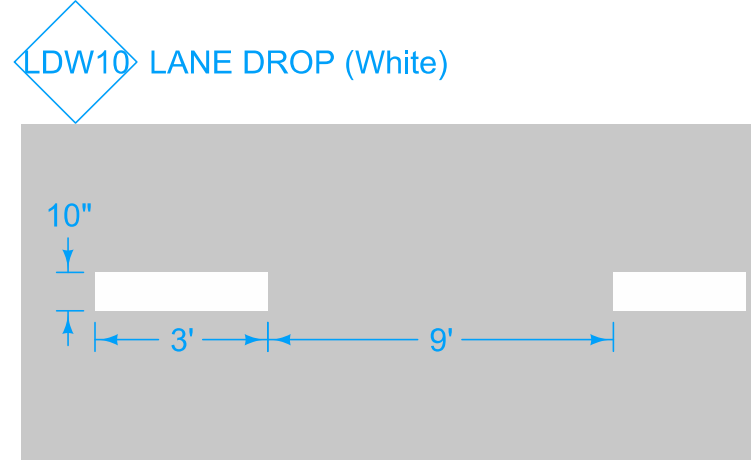
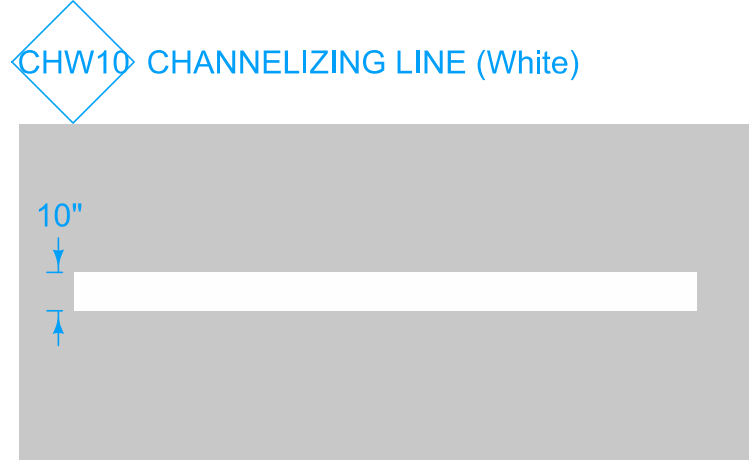
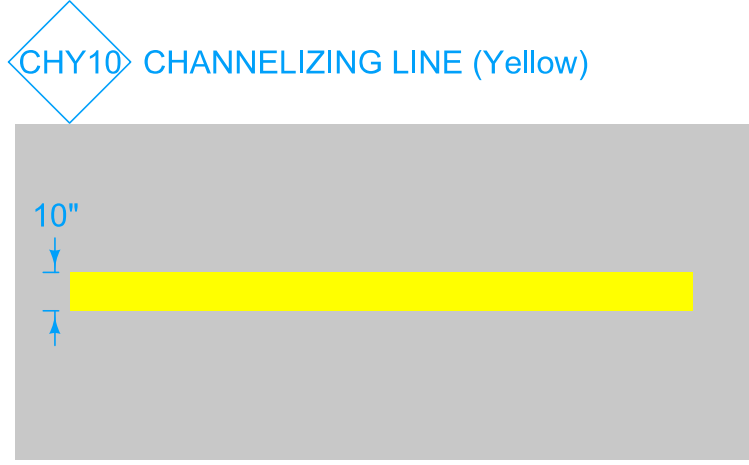
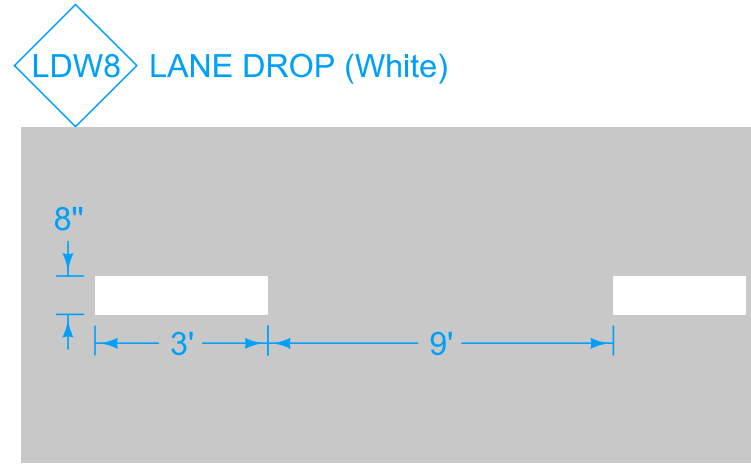
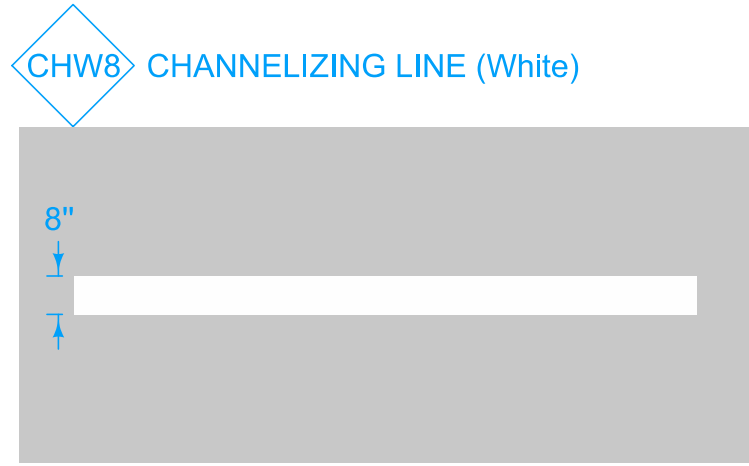
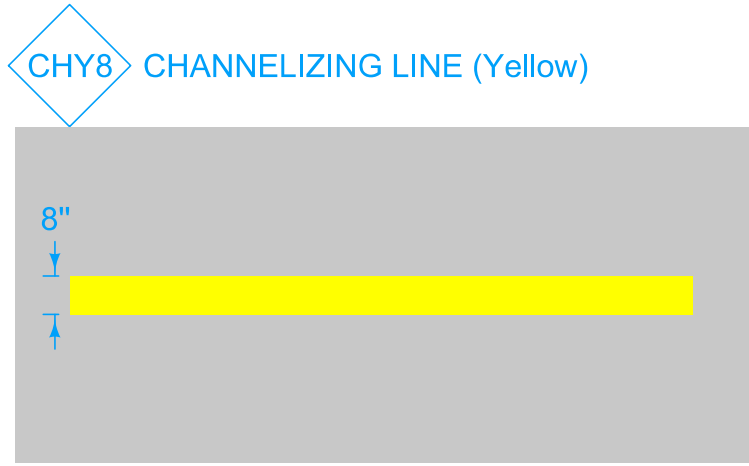
DDY6 DOUBLE DOTTED LINE (Yellow)



DLW6 DOTTED LINE (White)

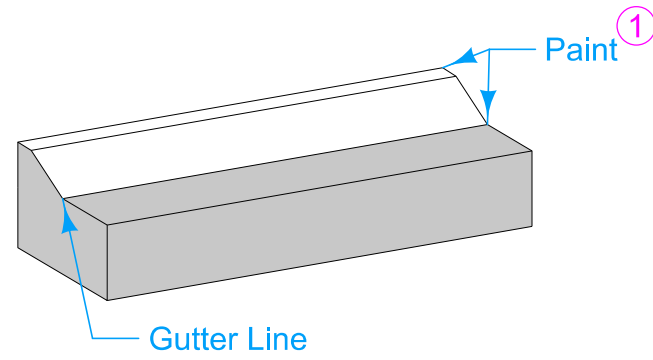


	REVISION
	4 04-16-24
	PM-110
STANDARD ROAD PLAN	
SHEET 2 of 4	
REVISIONS:	Added BCY6, BLC6, BLW6, CHW10, CHY10, DCY6, DDY6, DLW6, DLY6, ELY6, LDW10, NPY6, RLW6, RLY6, SLW6. Changed MNY4 to MNY6
APPROVED BY DESIGN METHODS ENGINEER	
LINE TYPES	

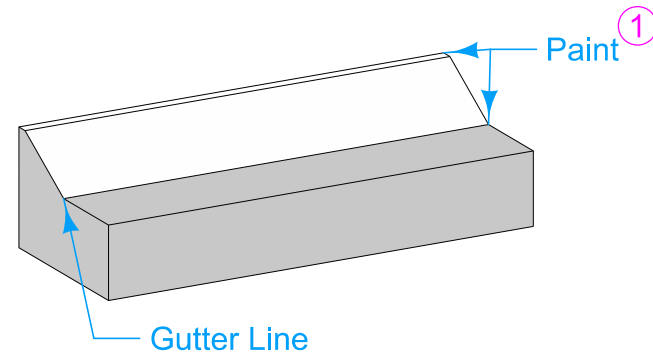


	REVISION
	4 04-16-24
	PM-110
STANDARD ROAD PLAN	
SHEET 3 of 4	
REVISIONS: Added BCY6, BLC6, BLW6, CHW10, CHY10, DCY6, DDY6, DLW6, DLY6, ELY6, LDW10, NPY6, RLY6, SLW6. Changed MNY4 to MNY6	
APPROVED BY DESIGN METHODS ENGINEER	
LINE TYPES	

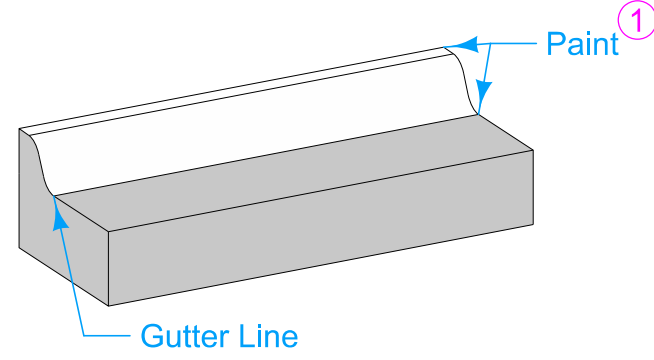
SPW4 SLOPED CURB 4" (White)



SPW6 SLOPED CURB 6" (White)

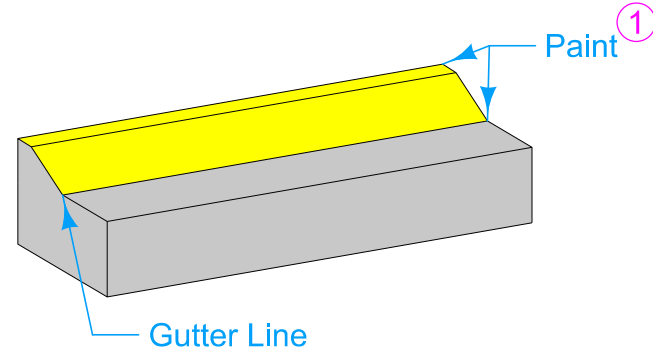


STW6 STANDARD CURB 6" (White)

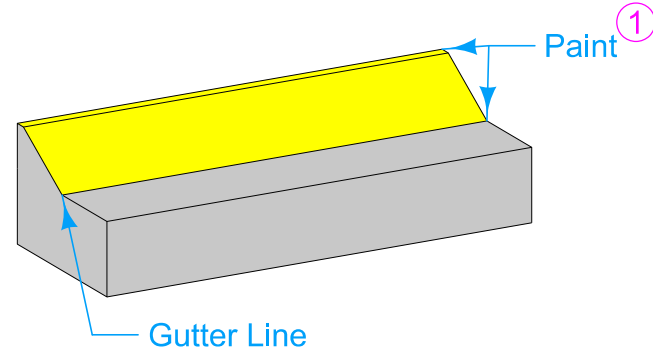


① Apply paint from back of curb to gutter line.

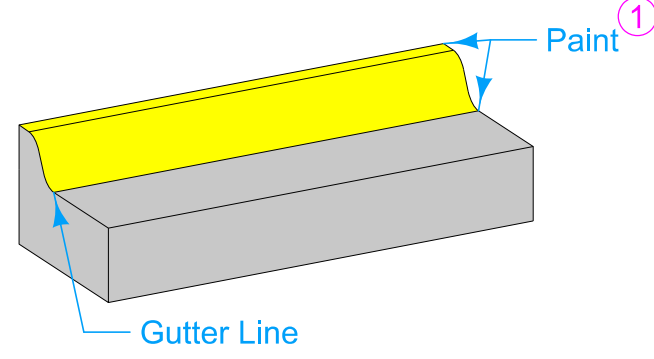
SPY4 SLOPED CURB 4" (Yellow)



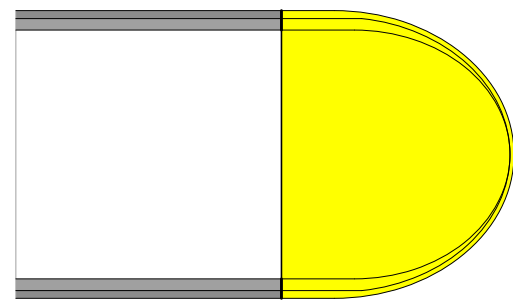
SPY6 SLOPED CURB 6" (Yellow)



STY6 STANDARD CURB 6" (Yellow)



MNY6 MEDIAN NOSE (Yellow)



	REVISION	
	4	04-16-24
STANDARD ROAD PLAN		PM-110
		SHEET 4 of 4
REVISIONS: Added BCY6, BLC6, BLW6, CHW10, CHY10, DCY6, DDY6, DLW6, DLY6, ELY6, LDW10, NPY6, RLW6, RLY6, SLW6. Changed MNY4 to MNY6		
<i>Steve Miller</i>		
APPROVED BY DESIGN METHODS ENGINEER		

LINE TYPES