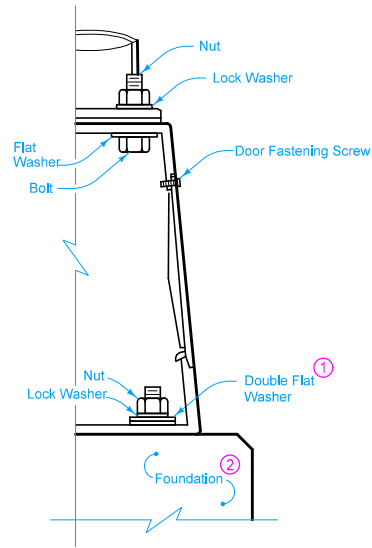
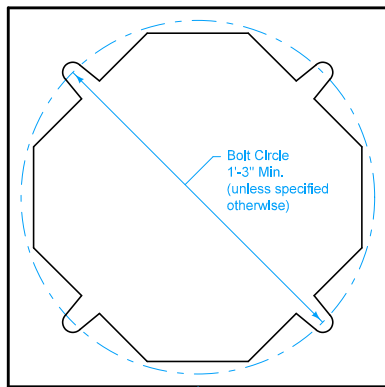


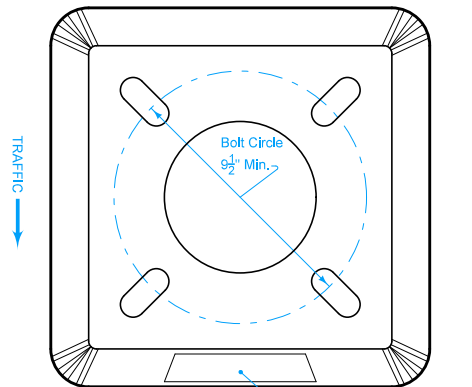
ELEVATION



SECTION A-A



BOTTOM VIEW



TOP VIEW

Furnish hardware fabricated using stainless steel.

When the design of the base flanges requires the use of tapered, mating washers, use washers of the design and material recommended by the manufacturer of the base.

- ① Use double thickness flat washers only when tapered washer is not required.
- ② Refer to LI-201 for foundation details.

| | | |
|---|----------|---------------|
| IOWA DOT | REVISION | |
| | New | 10-21-14 |
| STANDARD ROAD PLAN | | LI-210 |
| | | SHEET 1 of 1 |
| REVISIONS: New. Replaces RM-43. | | |
| <i>Brian Smith</i> APPROVED BY DESIGN METHODS ENGINEER | | |
| TRANSFORMER BASE (CAST ALUMINUM) | | |