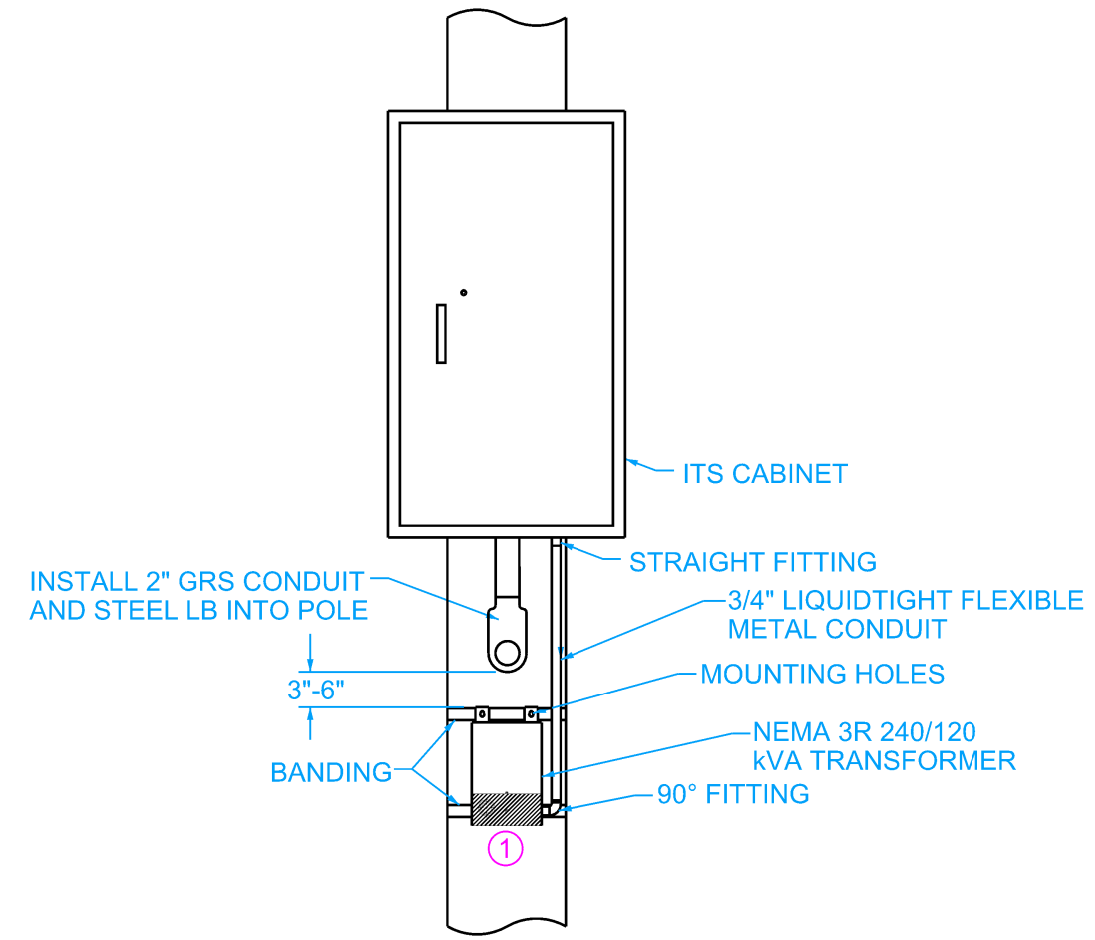
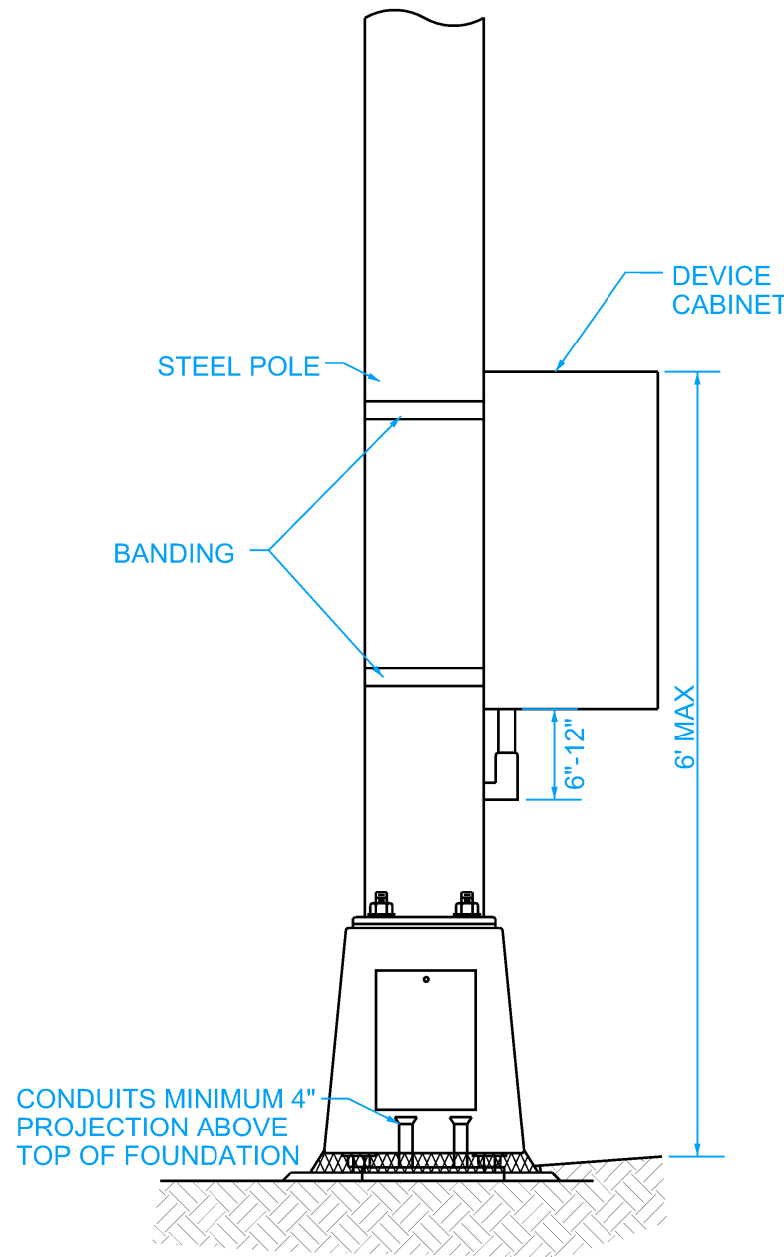
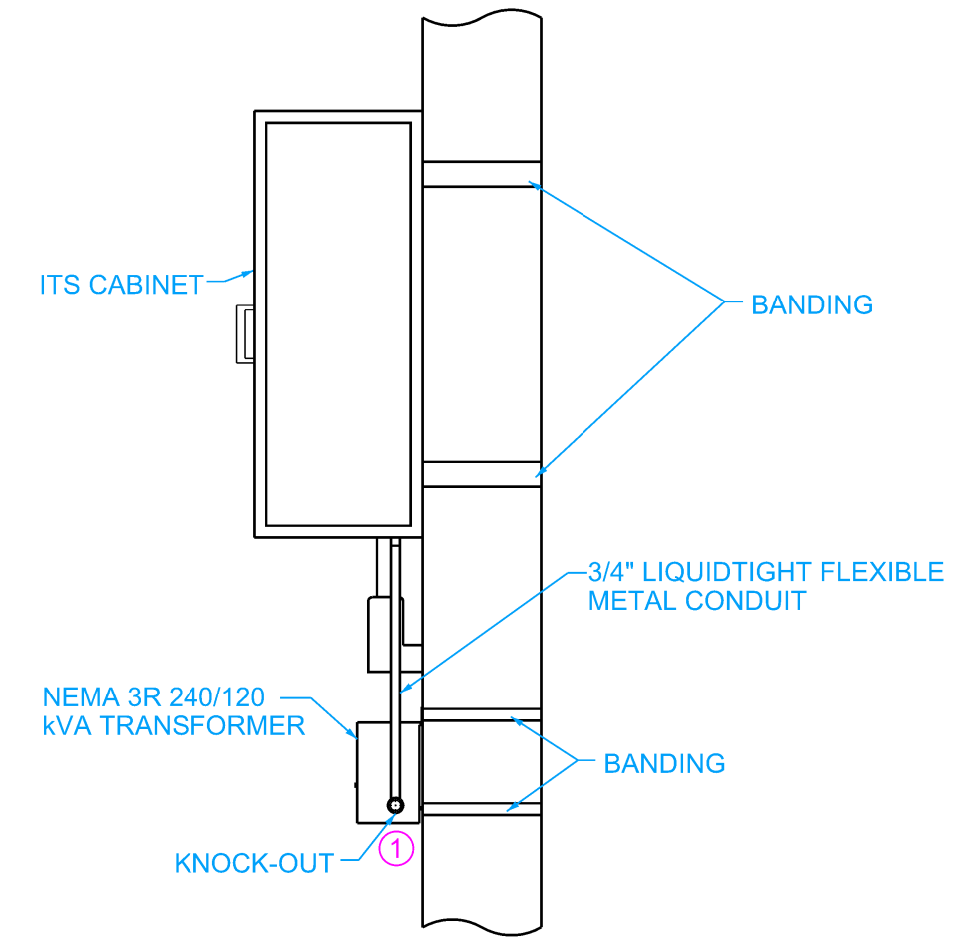


① TRANSFORMER MOUNTING IS ONLY WHEN SPECIFIED IN THE CONTRACT DOCUMENTS.



ITS CABINET FRONT VIEW



ITS CABINET SIDE VIEW

	REVISION
	1 10-15-2024
STANDARD ITS PLAN	ITS-301
	SHEET 1 of 1
REVISIONS: Revised banding labels and ITS cabinet view labels.	
 APPROVED BY STATE ITS ENGINEER	
ITS CABINET FOR POLE MOUNTING	