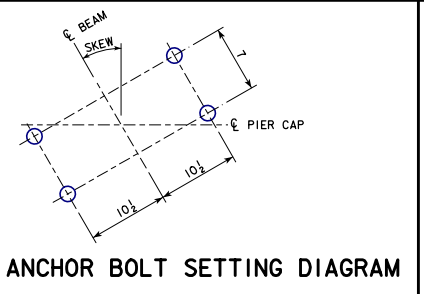
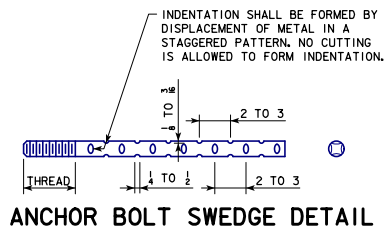
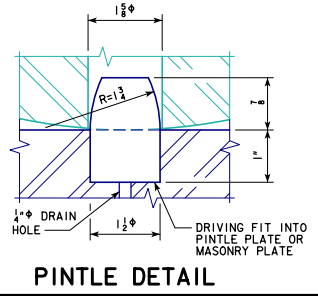
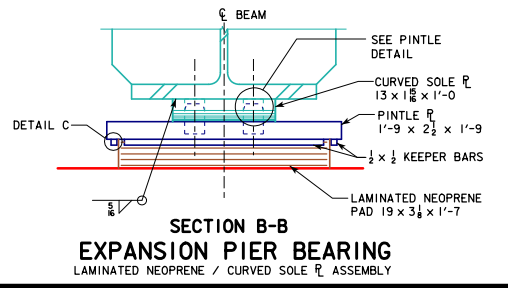
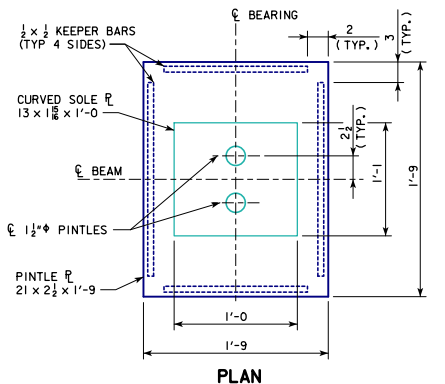
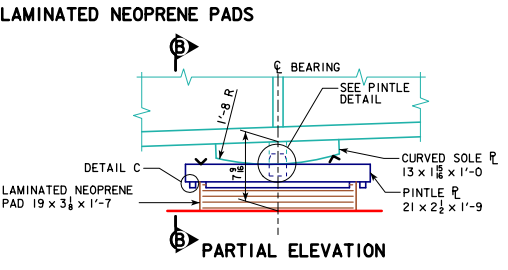
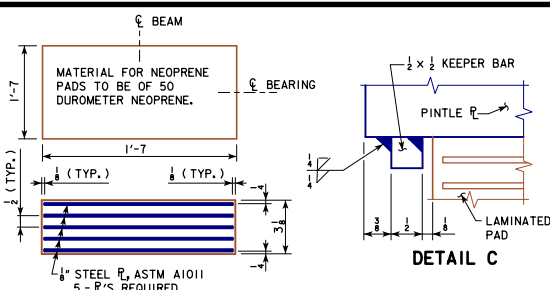
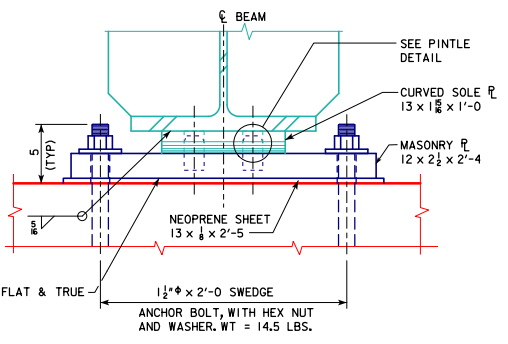
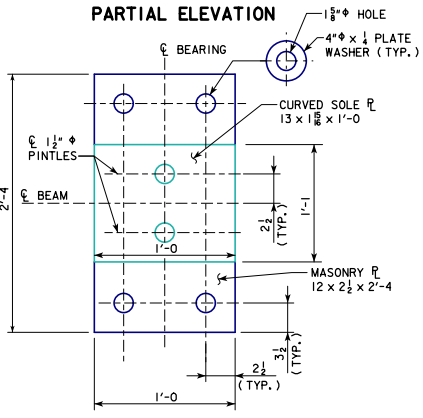
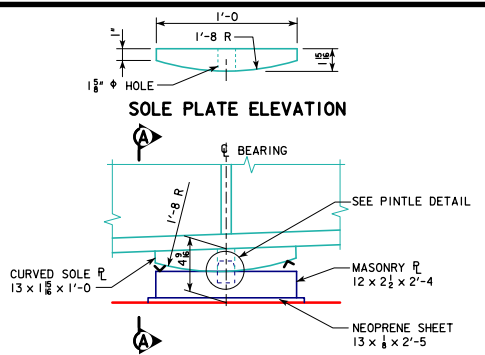


REVISED 08-2018 - CHANGED FIXED PIER BEARING ASSEMBLY THICKNESS IN "PARTIAL ELEVATION" DETAIL TO 4 1/8" (WAS 4 1/4"). UPDATED BRIDGE ENGINEER SIGNATURE.



- BEARING NOTES:**
1. SURFACES MARKED "V" SHALL MEET ANSI 250 SURFACE FINISH.
  2. MASONRY PLATES ARE TO BE SET ON A 1/8 INCH NEOPRENE SHEET.
  3. PINTLE PLATES, SOLE PLATES, ANCHOR BOLTS, AND MASONRY PLATES, ARE A PART OF THE STRUCTURAL STEEL QUANTITY. UNIT PRICE BID FOR STRUCTURAL STEEL SHALL INCLUDE ALLOWANCE FOR COST OF THE 1/8" NEOPRENE SHEETS AND NEOPRENE BEARING PADS.
  4. THE PINTLE PLATES, KEEPER BARS AND MASONRY PLATES SHALL BE GALVANIZED. ALL WELDING SHALL BE COMPLETED PRIOR TO GALVANIZING.
  5. THE SURFACE OF THE PINTLE PLATE IN CONTACT WITH THE LAMINATED NEOPRENE PADS AND CURVED SOLE PLATE SHALL BE FREE OF PROJECTIONS DUE TO THE GALVANIZING.
  6. CURVED SOLE PLATES SHALL COMPLY WITH ASTM A709 GRADE 50W AND SHALL BE PAINTED PER STANDARD SPECIFICATIONS. KEEPER BARS, PINTLE PLATES AND MASONRY PLATES, WHICH ARE TO BE GALVANIZED, SHALL COMPLY WITH ASTM A709 GRADE 50.
  7. ANCHOR BOLTS, NUTS AND WASHERS SHALL MEET THE REQUIREMENTS OF I.M. 453.08.
  8. BEARINGS SHOWN ON THIS DRAWING MAY BE USED FOR APPLICATIONS WITH LOCAL BEAM SLOPES BETWEEN 0% - 6%. FOR SITUATIONS OUTSIDE OF THIS SLOPE RANGE, THE DESIGNER SHALL EVALUATE THE BEARING'S APPLICABILITY IN ACCORDANCE WITH CURRENT IOWA DEPARTMENT OF TRANSPORTATION AND AASHTO SPECIFICATIONS ON BEARING DESIGN.
  9. THE 1/8 INCH NEOPRENE SHEETS ARE TO BE 50, 60, OR TO DUROMETER HARDNESS AND SHALL BE 1 INCH GREATER IN LENGTH AND WIDTH THAN THE BOTTOM SURFACES OF THE MASONRY PLATES OR STEEL BEARINGS.

STRUCTURAL STEEL		
DATA FOR ONE BEARING		
BEAM SIZE	FIXED BRG.	EXP. BRG.
WEIGHT (LBS.)	362	384

WEIGHT INCLUDES SOLE PLATE, PINTLE, MASONRY PLATE, ANCHOR BOLTS, NUTS, WASHERS AND WELDS.

NOTE: STRUCTURAL STEEL WEIGHT IS INCLUDED ON THE SUMMARY QUANTITIES SHEET.

08-2018  
LATEST REVISION DATE

APPROVED BY BRIDGE ENGINEER

**IOWADOT** Highway Division

STANDARD DESIGN - 40' ROADWAY, 3 SPAN BRIDGES

**ROLLED STEEL BEAM BRIDGES**

OCTOBER, 2014

**PIER BEARING DETAILS**  
280'-0 TO 340'-0 SPAN

**RS40-095-14**