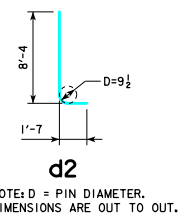
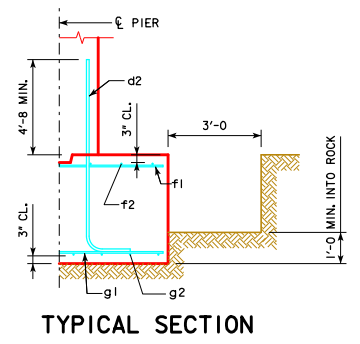
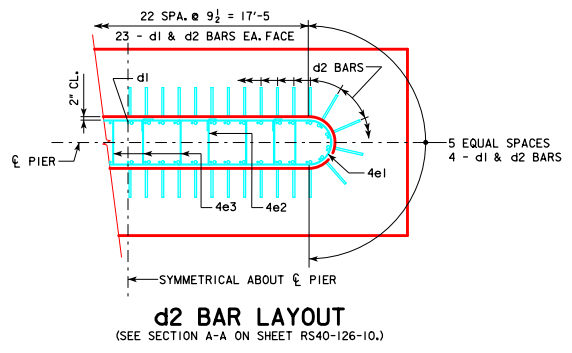


REVISED 05-13 - FOOTING NOTES MODIFIED.
 REVISED 10-2016 - CHANGED VERTICAL CLEARANCE OF REBAR "f2" TO TOP OF PIER FOOTING TO 3" (WAS 2").

H IN FT.	CL - CL ABUT. BRG.	FOOTING SIZE	H IN FT.	CL - CL ABUT. BRG.	FOOTING SIZE	
16 TO 18	160'-0"	4' x 8' x 26'	37 TO 40	160'-0"	4' x 9' x 26'	
180'-0"	4' x 8' x 26'	180'-0"		4' x 9' x 28'		
200'-0"	4' x 9' x 26'	200'-0"		4' x 10' x 28'		
220'-0"	4' x 9' x 28'	240'-0"		4' x 10' x 30'		
240'-0"	4' x 10' x 28'	260'-0"		4' x 11' x 30'		
260'-0"	4' x 10' x 30'	280'-0"		4' x 11' x 32'		
280'-0"	4' x 11' x 30'	300'-0"				
300'-0"	4' x 11' x 30'	320'-0"				
320'-0"	4' x 11' x 30'	340'-0"				
19 TO 21	160'-0"	4' x 8' x 26'		22 TO 24	160'-0"	4' x 9' x 26'
180'-0"	4' x 8' x 26'	180'-0"			4' x 9' x 28'	
200'-0"	4' x 9' x 26'	200'-0"			4' x 10' x 28'	
220'-0"	4' x 9' x 28'	220'-0"	4' x 10' x 30'			
240'-0"	4' x 10' x 28'	240'-0"	4' x 11' x 30'			
260'-0"	4' x 10' x 30'	260'-0"				
280'-0"	4' x 10' x 30'	280'-0"				
300'-0"	4' x 11' x 30'	300'-0"				
320'-0"	4' x 11' x 30'	320'-0"				
340'-0"	4' x 11' x 30'	340'-0"				
25 TO 27	160'-0"	4' x 9' x 26'	28 TO 30		160'-0"	4' x 9' x 26'
180'-0"	4' x 9' x 26'	180'-0"			4' x 9' x 28'	
200'-0"	4' x 9' x 28'	200'-0"		4' x 10' x 28'		
220'-0"	4' x 9' x 28'	220'-0"		4' x 10' x 30'		
240'-0"	4' x 10' x 28'	240'-0"		4' x 11' x 30'		
260'-0"	4' x 10' x 28'	260'-0"		4' x 11' x 32'		
280'-0"	4' x 10' x 30'	280'-0"				
300'-0"	4' x 11' x 30'	300'-0"				
320'-0"	4' x 11' x 30'	320'-0"				
340'-0"	4' x 11' x 32'	340'-0"				
31 TO 33	160'-0"	4' x 9' x 26'		34 TO 36	160'-0"	4' x 9' x 26'
180'-0"	4' x 9' x 26'	180'-0"			4' x 9' x 28'	
200'-0"	4' x 9' x 28'	200'-0"	4' x 10' x 28'			
220'-0"	4' x 9' x 28'	220'-0"	4' x 10' x 30'			
240'-0"	4' x 10' x 28'	240'-0"	4' x 11' x 30'			
260'-0"	4' x 10' x 30'	260'-0"	4' x 11' x 32'			
280'-0"	4' x 10' x 30'	280'-0"				
300'-0"	4' x 11' x 30'	300'-0"				
320'-0"	4' x 11' x 30'	320'-0"				
340'-0"	4' x 11' x 32'	340'-0"				

FOOTING SIZE	REINFORCING STEEL (ONE FOOTING)				TOTAL WEIGHT (L.B.)	STRUCTURAL CONCRETE (CY)
	BAR	NO., SIZE & SPACING	LENGTH	WEIGHT (L.B.)		
4' x 8' x 26'	d2	54 - #9 AS SHOWN	9'-11"	1821	2962	30.8
	f1	26 - #5 @ 1'-0"	7'-8"	208		
	f2	8 - #5 @ 1'-0"	25'-8"	214		
	g1	26 - #6 @ 1'-0"	7'-8"	299		
	g2	8 - #7 @ 1'-0"	25'-8"	420		
	d2	54 - #9 AS SHOWN	9'-11"	1821		
4' x 9' x 26'	d2	54 - #9 AS SHOWN	9'-11"	1821	3160	34.7
	f1	26 - #5 @ 1'-0"	8'-8"	235		
	f2	9 - #5 @ 1'-0"	25'-8"	241		
	g1	30 - #6 @ 0'-10 1/2"	8'-8"	391		
	g2	9 - #7 @ 1'-0"	25'-8"	472		
	d2	54 - #9 AS SHOWN	9'-11"	1821		
4' x 9' x 28'	d2	54 - #9 AS SHOWN	9'-11"	1821	3577	37.3
	f1	28 - #5 @ 1'-0"	8'-8"	253		
	f2	9 - #5 @ 1'-0"	27'-8"	260		
	g1	33 - #6 @ 0'-10"	8'-8"	430		
	g2	11 - #8 @ 0'-10"	27'-8"	813		
	d2	54 - #9 AS SHOWN	9'-11"	1821		
4' x 10' x 28'	d2	54 - #9 AS SHOWN	9'-11"	1821	3950	41.5
	f1	28 - #5 @ 1'-0"	9'-8"	282		
	f2	10 - #5 @ 1'-0"	27'-8"	289		
	g1	34 - #7 @ 0'-10"	9'-8"	672		
	g2	12 - #8 @ 0'-10"	27'-8"	886		
	d2	54 - #9 AS SHOWN	9'-11"	1821		
4' x 10' x 30'	d2	54 - #9 AS SHOWN	9'-11"	1821	4575	44.4
	f1	30 - #5 @ 1'-0"	9'-8"	302		
	f2	10 - #5 @ 1'-0"	29'-8"	309		
	g1	37 - #7 @ 0'-9 1/2"	9'-8"	731		
	g2	14 - #9 @ 0'-8 1/2"	29'-8"	1412		
	d2	54 - #9 AS SHOWN	9'-11"	1821		
4' x 11' x 30'	d2	54 - #9 AS SHOWN	9'-11"	1821	5062	48.9
	f1	30 - #5 @ 1'-0"	10'-8"	334		
	f2	11 - #5 @ 1'-0"	29'-8"	340		
	g1	37 - #8 @ 0'-9 1/2"	10'-8"	1054		
	g2	15 - #9 @ 0'-9"	29'-8"	1513		
	d2	54 - #9 AS SHOWN	9'-11"	1821		
4' x 11' x 32'	d2	54 - #9 AS SHOWN	9'-11"	1821	5831	52.1
	f1	32 - #5 @ 1'-0"	10'-8"	356		
	f2	11 - #5 @ 1'-0"	31'-8"	363		
	g1	39 - #8 @ 0'-9 1/2"	10'-8"	1111		
	g2	16 - #10 @ 0'-8"	31'-8"	2180		
	d2	54 - #9 AS SHOWN	9'-11"	1821		



FOOTING NOTES:

THESE SPREAD FOOTINGS ARE DESIGNED AND DETAILED TO BE USED WITH THE CAP AND COLUMN DETAILS OF THE TEE PIERS AS SHOWN ON SHEET RS40-126-10.

THESE SPREAD FOOTINGS SHALL EXTEND AT LEAST 12 INCHES INTO SUITABLE FOUNDATION ROCK AND THE LAST 12 INCHES OF ROCK EXCAVATION SHALL BE TO NEAT LINES OF MASONRY. THE FOUNDATION ROCK SHALL HAVE A MINIMUM LRFD NOMINAL BEARING RESISTANCE OF 30 KIPS PER SQUARE FOOT (ALLOWABLE BEARING VALUE OF AT LEAST 10 KIPS PER SQUARE FOOT).

10-2016 LATEST REVISION DATE	APPROVED BY BRIDGE ENGINEER	 STANDARD DESIGN - 40' ROADWAY, 3 SPAN BRIDGES ROLLED STEEL BEAM BRIDGES JUNE, 2010	
		TEE PIER - SPREAD FOOTINGS 10° SKEW - SHEET 1	RS40-134-10