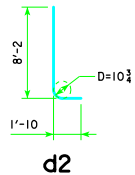


TYPICAL SECTION



NOTE: D = PIN DIAMETER. DIMENSIONS ARE OUT TO OUT.

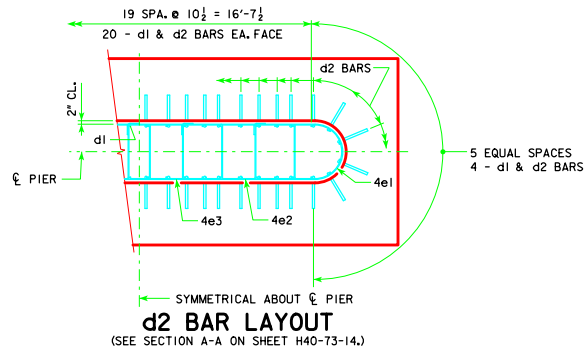
NOTE: THE REINFORCING STEEL QUANTITY IS TO BE INCLUDED ON THE SUMMARY QUANTITIES SHEET IN THE PLAN.

NOTE: THE CONCRETE QUANTITY IS TO BE INCLUDED ON THE SUMMARY QUANTITIES SHEET IN THE PLAN.

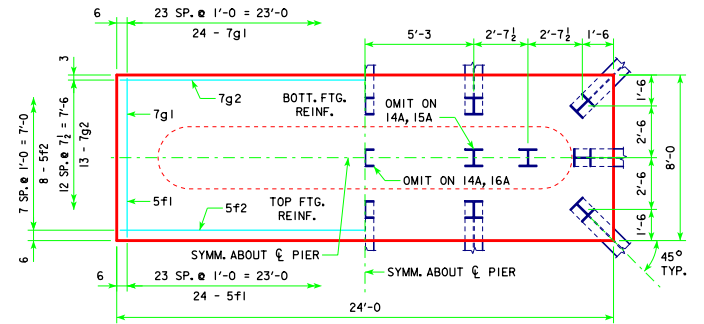
NOTE: THE PILE TYPE IS TO BE INCLUDED ON THE SUMMARY QUANTITIES SHEET IN THE PLAN.

H IN FT.	CL - CL ABUT. BRG.	PILING (HP10x57)		FOOTING SIZE
		NO. & LAYOUT	① LRFD PU STRENGTH I DES. LOAD (KIPS)	
8	201'-4	14A	206	3'-6 x 8' x 24'
16	213'-10	14A	213	
24	226'-4	15A	213	
32	243'-0	16A	210	
40	201'-4	14A	211	3'-6 x 8' x 24'
48	213'-10	14A	219	
56	226'-4	15A	219	
64	243'-0	16A	215	
72	201'-4	14B	214	3'-6 x 9' x 24'
80	213'-10	15B	212	
88	226'-4	16B	209	
96	243'-0	16B	217	

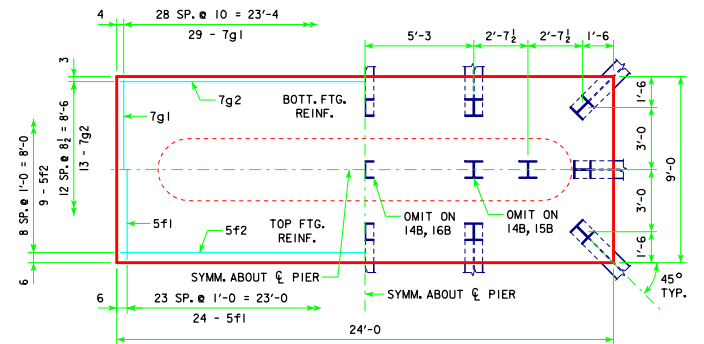
FOOTING SIZE	REINFORCING STEEL (ONE FOOTING)			TOTAL WEIGHT (LB.)	STRUCTURAL CONCRETE (CY)
	BAR NO., SIZE & SPACING	LENGTH	WEIGHT (LB.)		
3'-6 x 8' x 24'	d2 48 - #10 AS SHOWN	10'-0	2065	3459	24.9
	f1 24 - #5 @ 1'-0	7'-8	192		
	f2 8 - #5 @ 1'-0	23'-8	197		
	g1 24 - #7 @ 1'-0	7'-8	376		
	g2 13 - #7 @ 0'-7 1/2	23'-8	629		
3'-6 x 9' x 24'	d2 48 - #10 AS SHOWN	10'-0	2065	3647	28.0
	f1 24 - #5 @ 1'-0	8'-8	217		
	f2 9 - #5 @ 1'-0	23'-8	222		
	g1 29 - #7 @ 0'-10	8'-8	514		
	g2 13 - #7 @ 0'-8 1/2	23'-8	629		



① NOTE: PU, STRENGTH I DESIGN LOAD (KIPS) IS NOT THE VALUE USED IN THE FIELD FOR DRIVING PILES.



3'-6 x 8'-0 x 24'-0 FOR 14A, 15A & 16A



3'-6 x 9'-0 x 24'-0 FOR 14B, 15B & 16B

FOOTING NOTES:

THESE FOOTINGS ARE DESIGNED AND DETAILED TO BE USED WITH THE CAP AND COLUMN DETAILS OF THE TEE PIERS AS SHOWN ON SHEET H40-73-14.

BATTER PILING IN EXTERIOR ROWS 1:4 IN THE DIRECTION SHOWN.

STEEL PILING USED AS POINT BEARING SHALL HAVE A MINIMUM DISTANCE OF APPROXIMATELY 10 FEET FROM BOTTOM OF FOOTING TO TOP OF BEARING ROCK. THE PILE LAYOUTS ARE SUCH THAT THE DISTANCE CENTER TO CENTER OF ADJACENT PILING SHALL NOT EXCEED 8'-0.

PIER PILES SHALL BE DRIVEN TO VALUES SHOWN IN DESIGN PLANS.

LATEST REVISION DATE	 APPROVED BY BRIDGE ENGINEER	 STANDARD DESIGN - 40' ROADWAY, THREE SPAN BRIDGE <b>PRETENSIONED PRESTRESSED CONCRETE BEAM BRIDGES</b> SEPTEMBER, 2014	<b>TEE PIER-HP10x57 SRL-2</b> <b>STEEL PILE FOOTINGS</b> 30° SKEW - H=16' TO 24'	<b>H40-77-14</b>