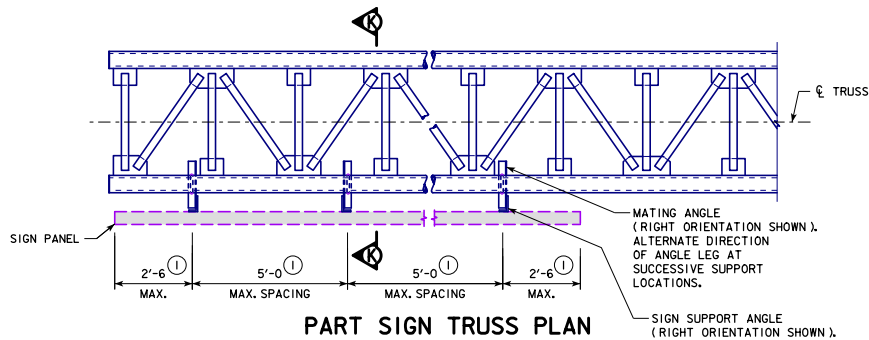
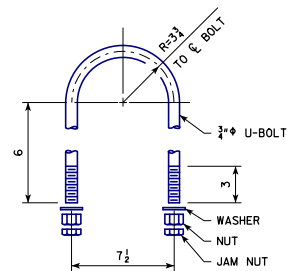


REVISION 04-2020: CHANGED "OFFICE OF BRIDGES AND STRUCTURES BUREAU" TO "BRIDGES AND STRUCTURES BUREAU". DESIGNATED L3 x 3 x 3/8 x 1'-6 AS A MATING ANGLE FOR CLARITY IN PART SIGN TRUSS PLAN, SECTION K-K AND SECTION L-L. ADDED ADDITIONAL DETAIL TO SECTION L-L AND MODIFIED CALLOUTS TO CLARIFY THAT DIRECTION OF ANGLE LEG IS TO ALTERNATE AT SUCCESSIVE SUPPORTS FOR BOTH SIGN SUPPORT ANGLES AND MATING ANGLES. MOVED SECTION K-K CALLOUT TO ACCURATELY REFLECT LOCATION OF SECTION K-K. MODIFIED DEPICTION OF MATING ANGLES IN SECTION K-K TO ACCURATELY REFLECT LOCATION OF SECTION K-K. MODIFIED DEPICTION OF U-BOLT IN SECTION F-F TO ACCURATELY SHOW U-BOLT SIZE. FLIPPED ORIENTATION OF TOP-CHORD-TO-MATING-ANGLE U-BOLT CONNECTION FOR UNIFORMITY WITH DETAIL ON SCST-11 STANDARDS.

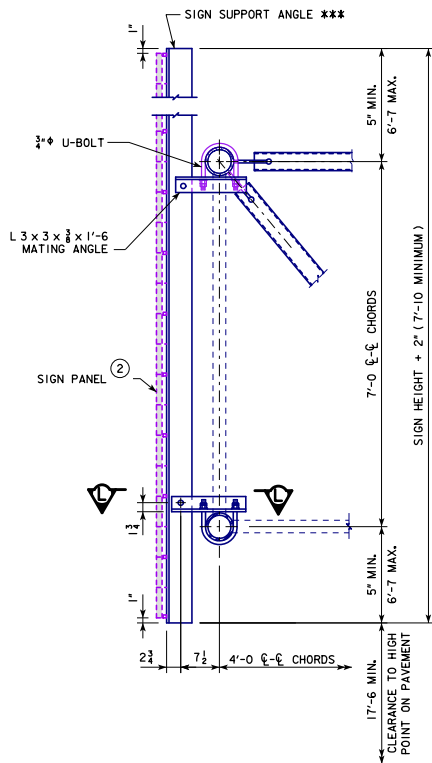
STEELCANTILEVERSIGNTRUSS.GRD - SCST-07-17 - THIS SHEET ISSUED 07-2017.



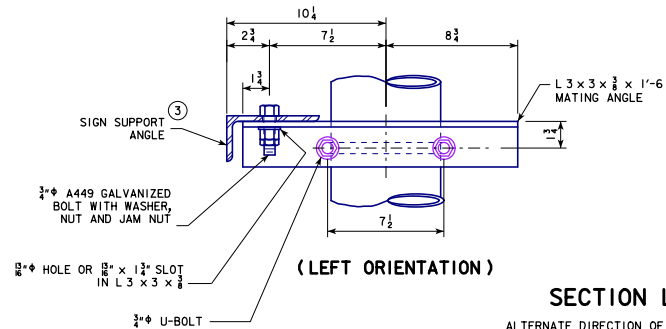
PART SIGN TRUSS PLAN



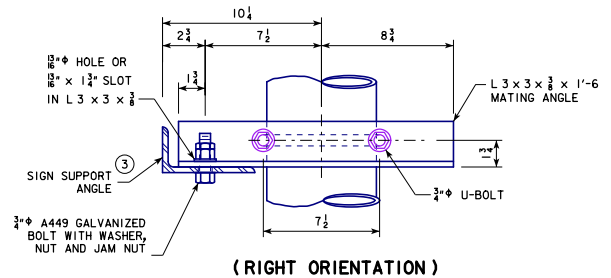
U-BOLT DETAIL



SECTION K-K



(LEFT ORIENTATION)



(RIGHT ORIENTATION)

SECTION L-L

ALTERNATE DIRECTION OF SIGN SUPPORT ANGLE LEG AND MATING ANGLE LEG AT SUCCESSIVE SUPPORTS AS SHOWN IN PART SIGN TRUSS PLAN.

- ① DIMENSION RESTRICTIONS APPLY TO MAIN SIGN PANEL AND ANY SUPPLEMENTAL SIGN PANELS THAT MAY BE PRESENT.
- ② CENTER THE MAIN SIGN PANEL VERTICALLY ON THE TRUSS IF THE SUPPLEMENTARY SIGN PANEL LENGTH IS LESS THAN HALF THE LENGTH OF THE MAIN SIGN PANEL, OTHERWISE CENTER THE COMBINED HEIGHT OF THE MAIN SIGN PANEL AND SUPPLEMENTARY SIGN PANEL VERTICALLY ON THE TRUSS.
- ③ USE L 6 x 3 1/2 x 1/2 FOR SIGN HEIGHT OVER 10'-0 TO 20'-0 AND L 5 x 3 x 3/8 FOR SIGN HEIGHT OF 10'-0 OR LESS. A TOTAL SIGN HEIGHT GREATER THAN 20'-0, SIGN VERTICAL CANTILEVER LENGTH GREATER THAN 6'-7, AND/OR SIGN SUPPORT ANGLE HORIZONTAL SPACING GREATER THAN 5'-0 REQUIRES APPROVAL BY THE BRIDGES AND STRUCTURES BUREAU.

04-2020 LATEST REVISION DATE	<i>[Signature]</i> APPROVED BY BRIDGE ENGINEER	IOWA DOT	
		STANDARD DESIGN	
		STEEL CANTILEVER SIGN TRUSS	
		JULY, 2017	
		SIGN ATTACHMENT DETAILS	SCST-07-17