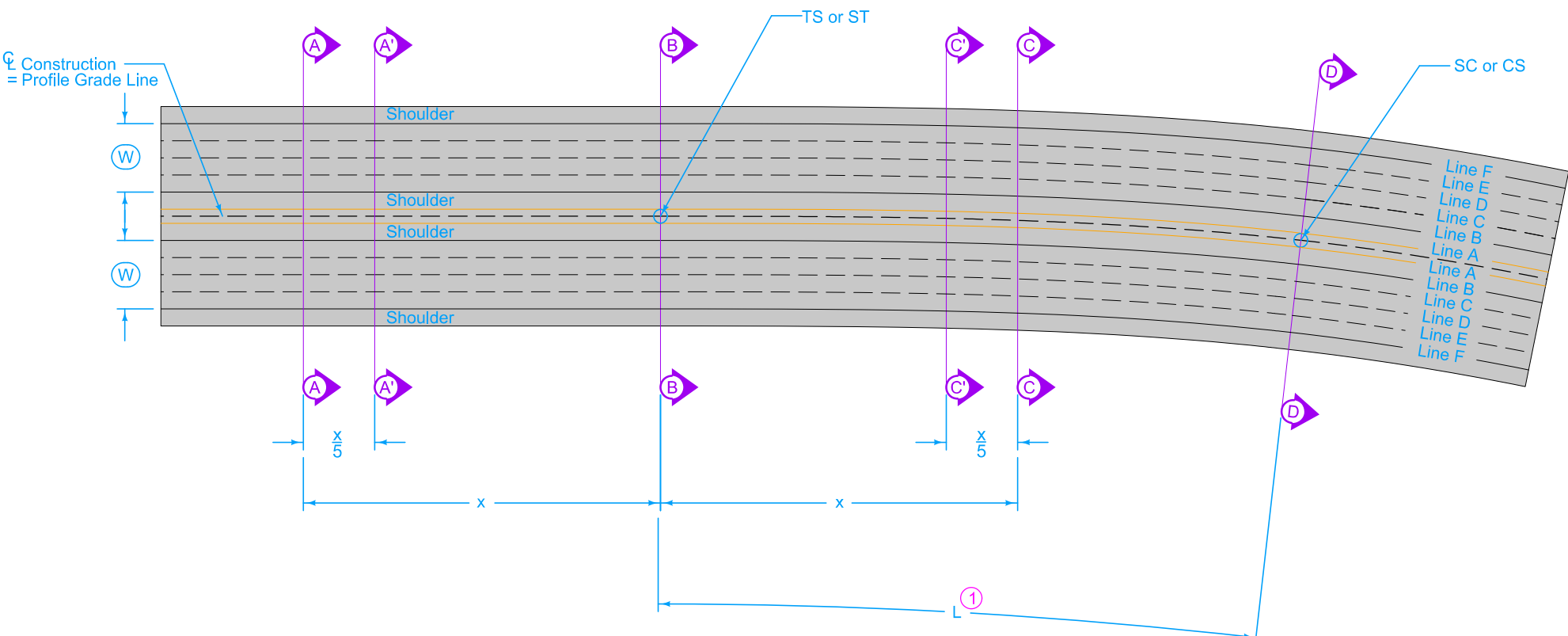


TRANSITION DETAILS - TANGENT TO CURVE



TRANSITION DETAILS - SPIRAL CURVE

Refer to specific curve data contained in project plans for tangent runout length (x), runoff length (L) and full superelevation (e).

When spiral curve transitions are not required:
 Place 70% of full superelevation at the P.C. and P.T.
 Place 30% of the runoff length within the curve.

Unless otherwise specified, all lengths are measured along the centerline of construction.

Superelevations on this standard are shown for curves to the right. Curves to the left are a mirror image of what is shown.

Smooth curves should be established at the time of construction at sections A-F along the profile edges of lines A-F.

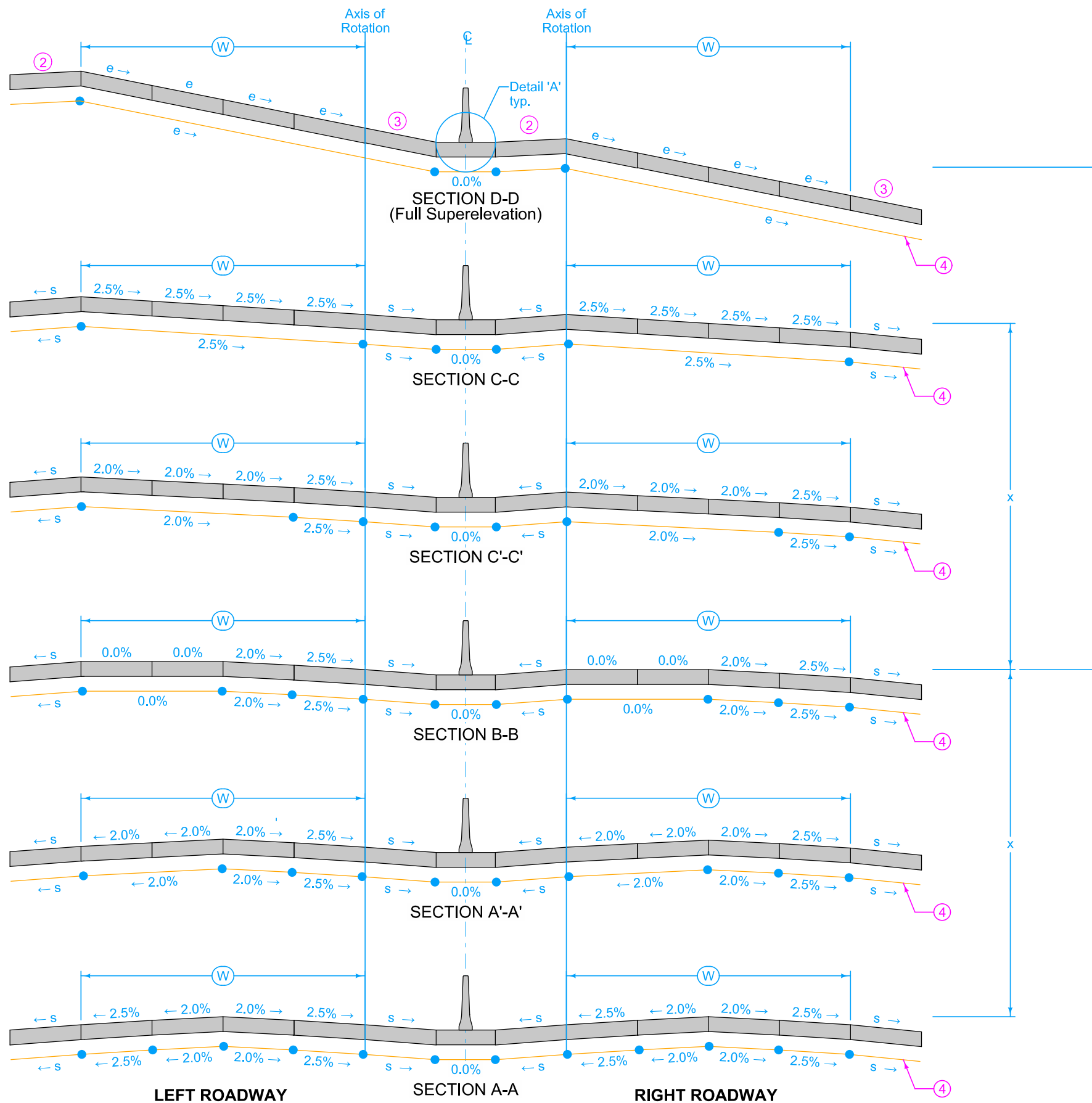
See Detail A for profile grade location.

- m = 30% of Runoff Length (L)
- Ⓜ = 48'
- g = Normal Cross Slope (2.5%)
- L = Distance to Change Cross Slope from 0% to e
- e = Superelevation Rate
- x = Distance to Change Cross Slope from 0% to 2.5%
- s = Normal Shoulder Slope

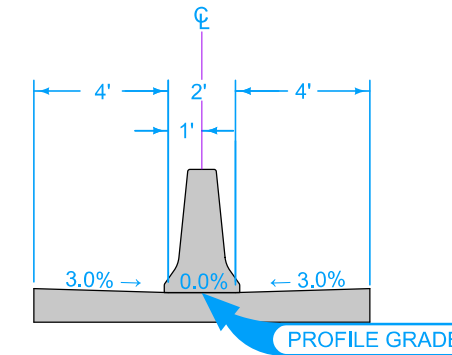
① Spiral curve length coincides with runoff length (L)

Possible Tabulation:
101-18

	REVISION	
	2	04-19-22
STANDARD ROAD PLAN		PV-306
		SHEET 1 of 4
REVISIONS: Modified section labeling.		
 APPROVED BY DESIGN METHODS ENGINEER		
SUPERELEVATION DETAILS EIGHT LANE ROADWAY CLOSED MEDIAN		

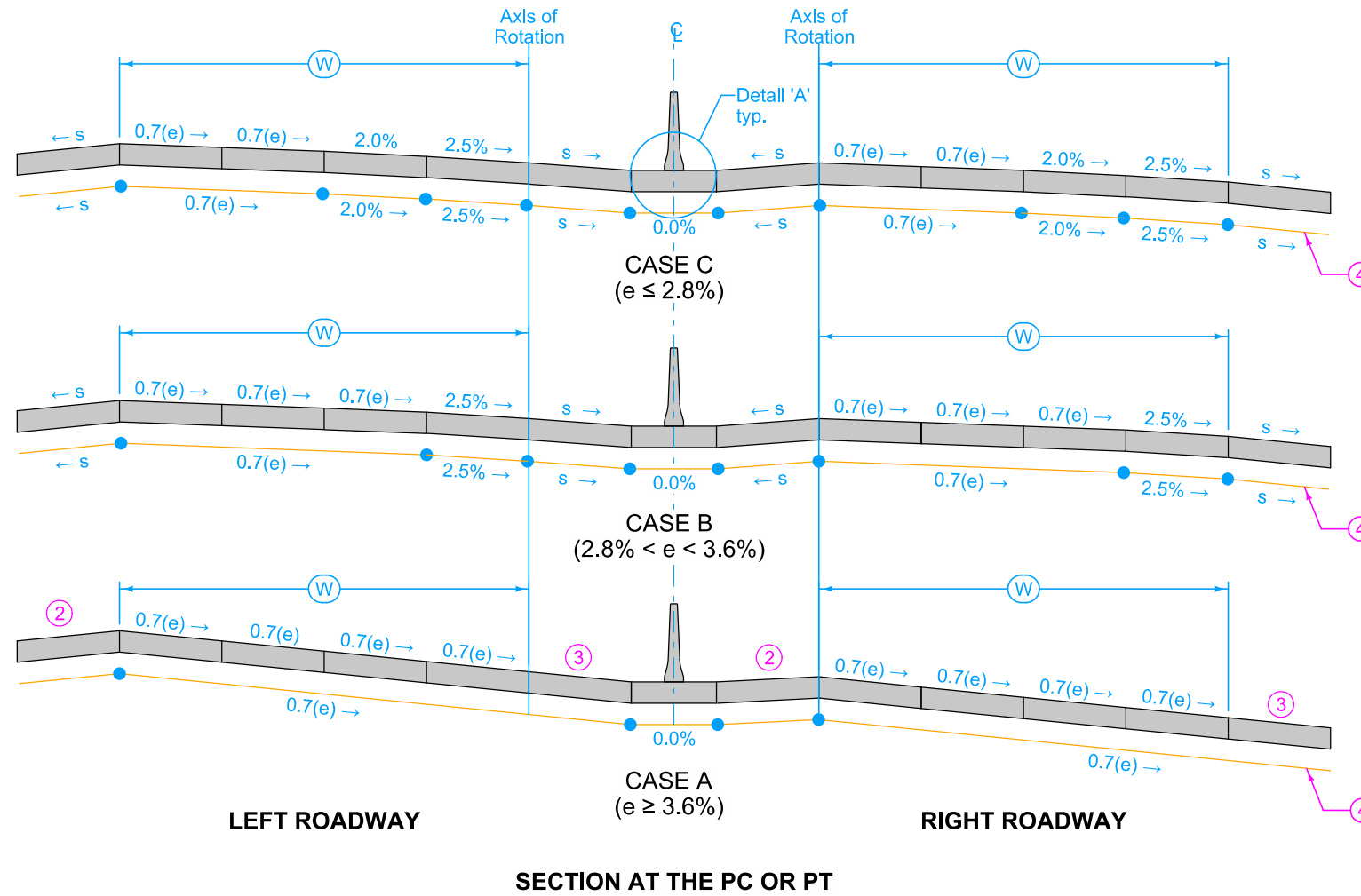


- ② High Side Shoulder: Maintain normal shoulder cross slope (s) until the cross slope break with the adjacent pavement reaches 8.0%, then slope the shoulder at the same rate as the adjacent pavement maintaining an 8% cross slope breakover.
- ③ Low Side Shoulder: Maintain normal shoulder cross slope (s) until the adjacent pavement slope equals s , then slope the shoulder at the same cross slope as the adjacent pavement.
- ④ Subgrade Surface: Subgrade surface cross slope parallel to pavement surface cross slope.

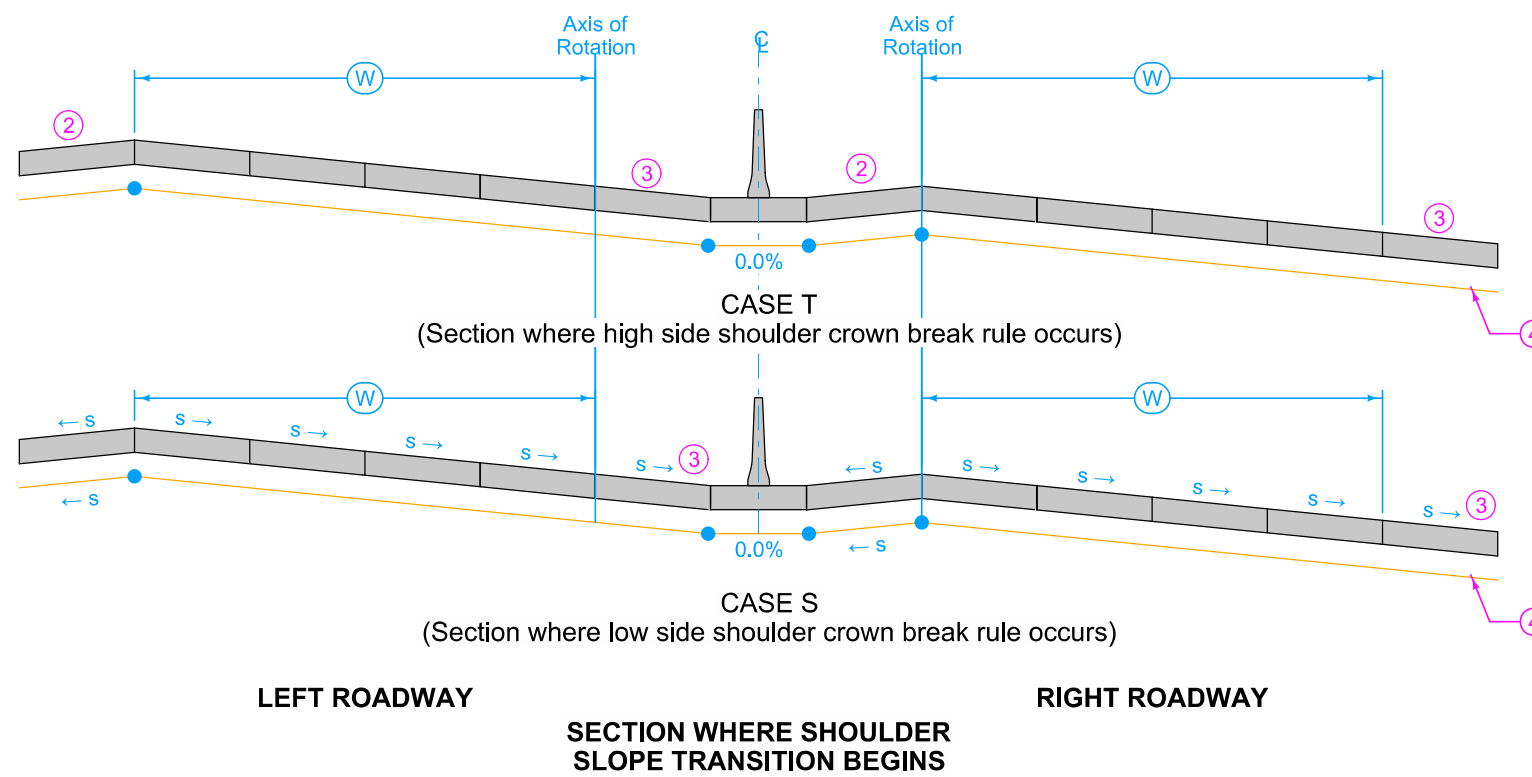


DETAIL A

	REVISION
	2 04-19-22
STANDARD ROAD PLAN	PV-306
REVISIONS: Modified section labeling.	SHEET 2 of 4
 APPROVED BY DESIGN METHODS ENGINEER	
SUPERELEVATION DETAILS EIGHT LANE ROADWAY CLOSED MEDIAN	



- ② High Side Shoulder: Maintain normal shoulder cross slope (s) until the cross slope break with the adjacent pavement reaches 8.0%, then slope the shoulder at the same rate as the adjacent pavement maintaining an 8% cross slope breakover.
- ③ Low Side Shoulder: Maintain normal shoulder cross slope (s) until the adjacent pavement slope equals s, then slope the shoulder at the same cross slope as the adjacent pavement.
- ④ Subgrade Surface: Subgrade surface cross slope parallel to pavement surface cross slope.



	REVISION	
	2	04-19-22
STANDARD ROAD PLAN		PV-306
		SHEET 3 of 4
REVISIONS: Modified section labeling.		
 <small>APPROVED BY DESIGN METHODS ENGINEER</small>		
SUPERELEVATION DETAILS EIGHT LANE ROADWAY CLOSED MEDIAN		

TABLE OF OFFSETS AND DROPS FOR LEFT ROADWAY							
Location of Cross Sections		(A)	(A')	(B)	(C)	(C)	(D)
From Line A To Line B	Offset (Ft.)	*	*	*	*	*	*
	Slope (%)	s	s	s	s	s	(3)
	Drop (Ft.)						
From Line B To Line C	Offset (Ft.)	12	12	12	12	12	12
	Slope (%)	2.5	2.5	2.5	2.5	2.5	e
	Drop (Ft.)	0.30	0.30	0.30	0.30	0.30	12(e)
From Line C To Line D	Offset (Ft.)	12	12	12	12	12	12
	Slope (%)	2.0	2.0	2.0	2.0	2.5	e
	Drop (Ft.)	0.24	0.24	0.24	0.24	0.30	12(e)
From Line D To Line E	Offset (Ft.)	12	12	12	12	12	12
	Slope (%)	-2.0	-2.0	0.0	2.0	2.5	e
	Drop (Ft.)	-0.24	-0.24	0.0	0.24	0.30	12(e)
From Line E To Line F	Offset (Ft.)	12	12	12	12	12	12
	Slope (%)	-2.5	-2.0	0.0	2.0	2.5	e
	Drop (Ft.)	-0.30	-0.24	0.0	0.24	0.30	12(e)

* Refer to plan details for shoulder width

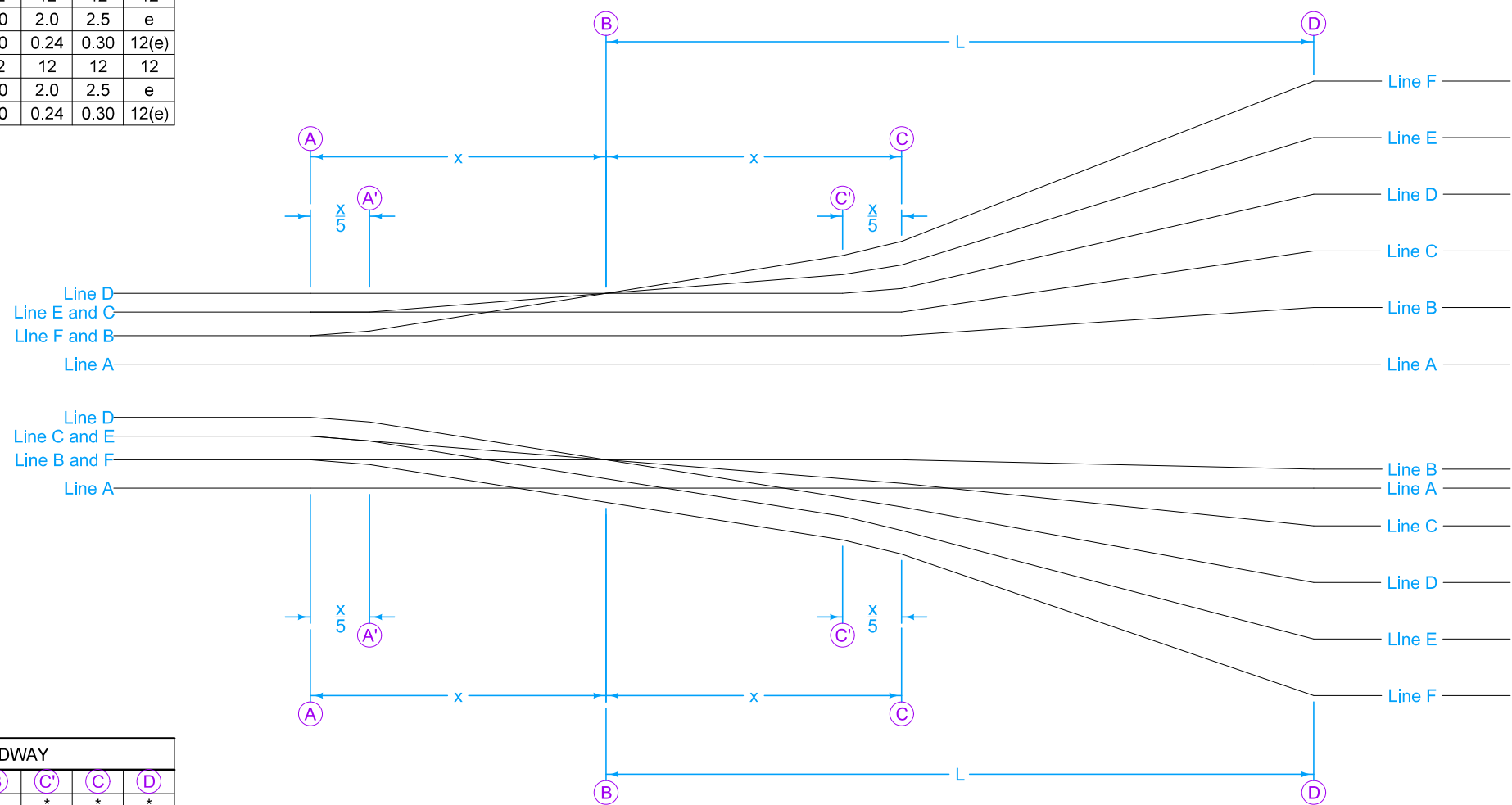


TABLE OF OFFSETS AND DROPS FOR RIGHT ROADWAY							
Location of Cross Sections		(A)	(A')	(B)	(C)	(C)	(D)
From Line A To Line B	Offset (Ft.)	*	*	*	*	*	*
	Slope (%)	s	s	s	s	s	(2)
	Drop (Ft.)						
From Line B To Line C	Offset (Ft.)	12	12	12	12	12	12
	Slope (%)	2.5	2.0	0.0	-2.0	-2.5	-e
	Drop (Ft.)	0.30	0.24	0.0	-0.24	-0.30	-12(e)
From Line C To Line D	Offset (Ft.)	12	12	12	12	12	12
	Slope (%)	2.0	2.0	0.0	-2.0	-2.5	-e
	Drop (Ft.)	0.24	0.24	0.0	-0.24	-0.30	-12(e)
From Line D To Line E	Offset (Ft.)	12	12	12	12	12	12
	Slope (%)	-2.0	-2.0	-2.0	-2.0	-2.5	-e
	Drop (Ft.)	-0.24	-0.24	-0.24	-0.24	-0.30	-12(e)
From Line E To Line F	Offset (Ft.)	12	12	12	12	12	12
	Slope (%)	-2.5	-2.5	-2.5	-2.5	-2.5	-e
	Drop (Ft.)	-0.30	-0.30	-0.30	-0.30	-0.30	-12(e)

* Refer to plan details for shoulder width

DIAGRAMMATIC PROFILES OF THE PAVEMENT EDGE LINES

	REVISION	
	2	04-19-22
STANDARD ROAD PLAN		PV-306
		SHEET 4 of 4
REVISIONS: Modified section labeling.		
APPROVED BY DESIGN METHODS ENGINEER		
SUPERELEVATION DETAILS EIGHT LANE ROADWAY CLOSED MEDIAN		