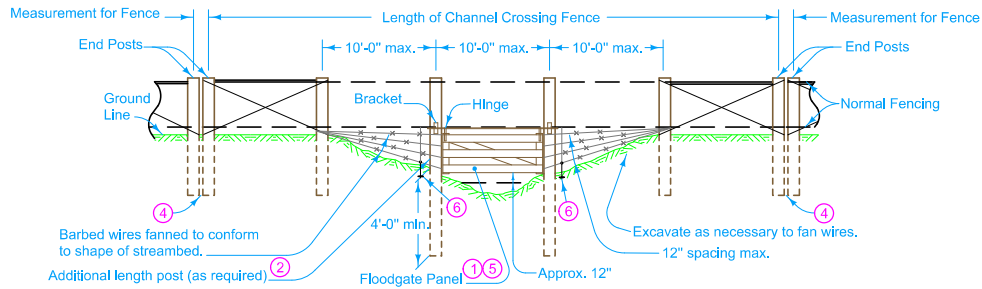
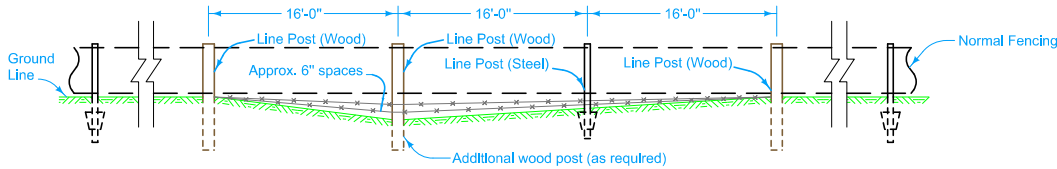


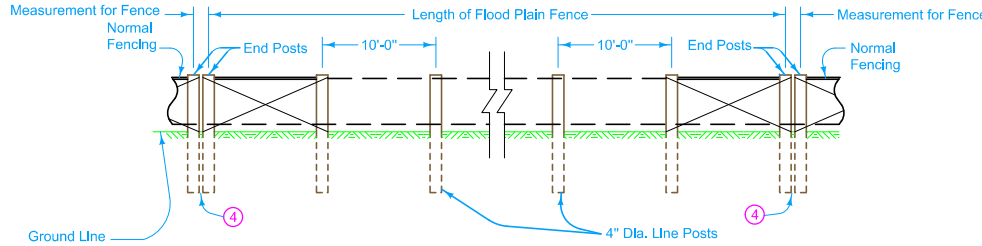
**CHANNEL CROSSING FENCE - TYPE "A"**



**CHANNEL CROSSING FENCE - TYPE "B"**

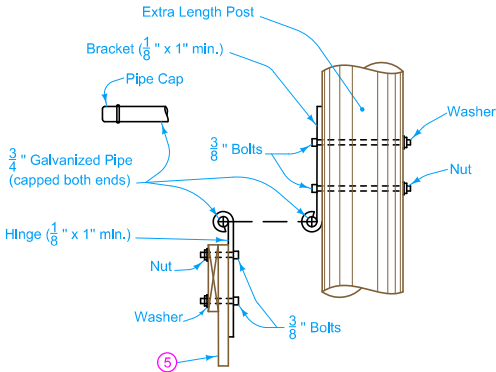


**LINE FENCE AT MINOR GROUND DEPRESSIONS**

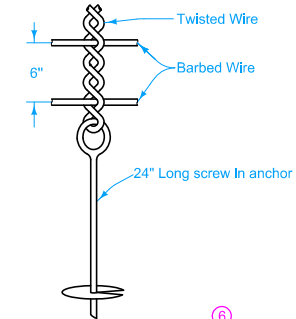


**FLOOD PLAIN FENCE**

**DEER FENCE AND FIELD FENCE**



**FLOODGATE HINGE AND BRACKET**



**BARBED WIRE ANCHOR**

Space line brace posts according to MI-103 where fencing is continuous and where end, corner, and line brace posts are not specified.

Double wrap barbed wire and tie off at end posts, corner posts, and line brace posts. Single wrap woven wire and tie off. Restart fence to be continued, in like manner.

Deer and field fence wire may be placed on either the road side or the field side of posts, depending on local conditions. For example, on curves the wire should be placed on the side which will result in the least amount of tension on the staples. This also applies where wind, drift, or other conditions will exert unusual pressure against the wire. Place wire on the upstream side of any stream.

Refer to MI-101, MI-102, and MI-103 for layouts of General, Chain Link, Deer, and Field Fence.

- ① Floodgate is part of the Type 'B' Channel Crossing Fence.
- ② All extra length posts more than 8 feet long require a minimum embedment of 4 feet. For Flood Plain Fencing, install line posts of treated wood, 4 inches minimum diameter, 8 feet long and spaced at 10 foot centers. Maximum interval of Pull Posts Assembly is 600 feet.
- ③ For fence at minor ground depressions, additional wood line posts and up to two additional barbed wires will not be paid for directly but will be considered incidental to the price bid for Deer Fence or Field Fence.
- ④ Provide a minimum of 12 to 15 inches of clear space between adjoining end post installations.
- ⑤ Floodgate Panel built from Untreated Rough 1 in. x 8 in. (Nominal) Lumber. More than one Floodgate Panel if required by the contract documents.
- ⑥ Use screw-in anchor with twisted wire to hold barb wire at 6" spacing.

Possible Contract Items:  
 Type A Channel Crossing Fence  
 Type B Channel Crossing Fence  
 Flood Plain Fencing

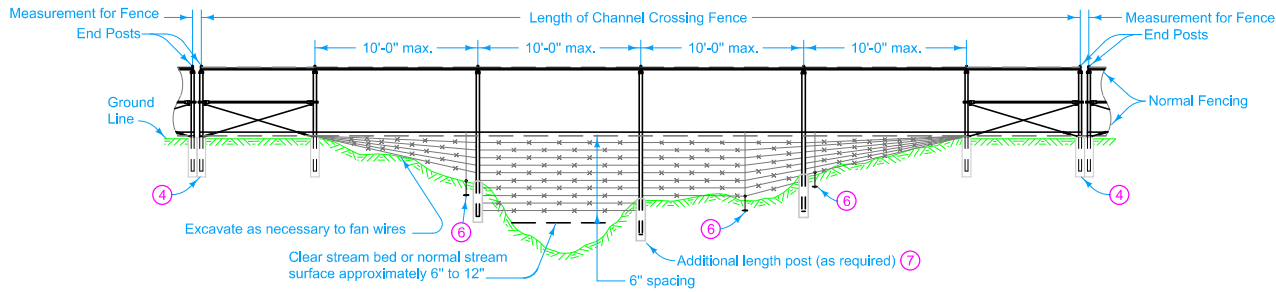
Possible Tabulation:  
 100-7

<b>IOWA DOT</b>	REVISION	
	5	10-17-17
	<b>STANDARD ROAD PLAN</b>	
<b>MI-104</b>		SHEET 1 of 2

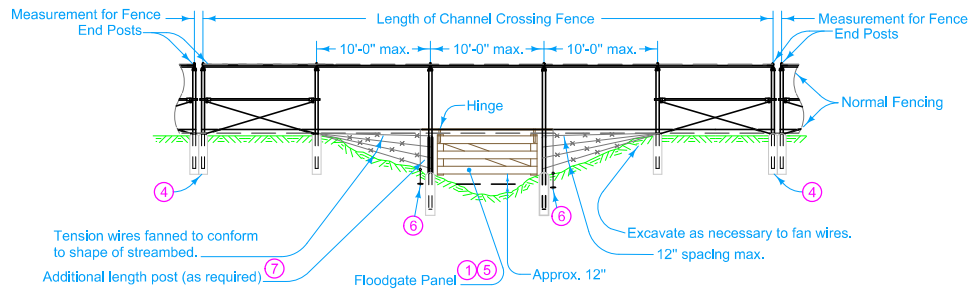
REVISIONS: Added Designer Info button and Page 2 for Chain Link Fence.

*Brian Smith*  
 APPROVED BY DESIGN METHODS ENGINEER

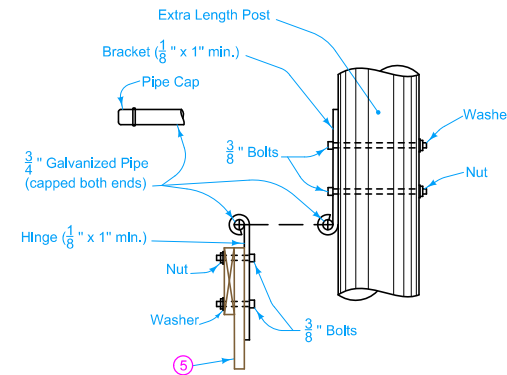
**FENCE CONSTRUCTION AT  
 CHANNEL CROSSINGS, FLOOD PLAINS,  
 AND MINOR GROUND DEPRESSIONS**



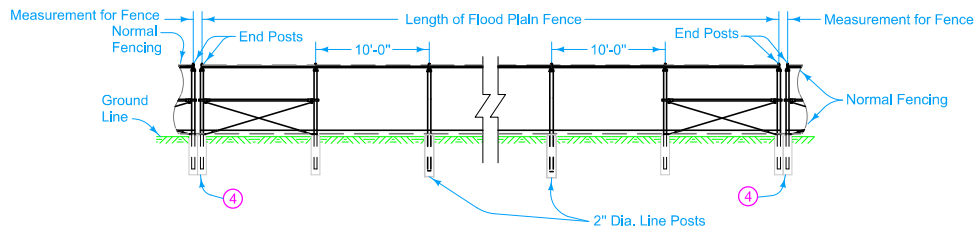
**CHANNEL CROSSING FENCE - TYPE "A"**



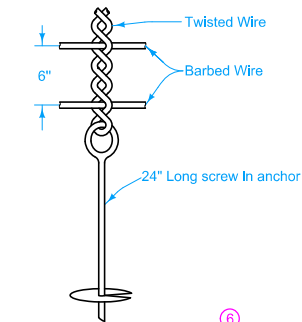
**CHANNEL CROSSING FENCE - TYPE "B"**



**FLOODGATE HINGE AND BRACKET**



**FLOOD PLAIN FENCE**



**BARBED WIRE ANCHOR**

Space line brace posts according to MI-102 where fencing is continuous and where end, corner, and line brace posts are not specified.

Double wrap barbed wire and tie off at posts. Attach chain link fence to braces, top rail, tension wire and posts at intervals of 12 inches. Restart fence to be continued, in like manner.

- ① Floodgate is part of the Type 'B' Channel Crossing Fence.
- ④ Provide a minimum of 12 to 15 inches of clear space between adjoining end post installations.
- ⑤ Floodgate Panel built from Untreated Rough 1 in. x 8 in. (Nominal) Lumber. More than one Floodgate Panel if required by the contract documents.
- ⑥ Use screw-in anchor with twisted wire to hold barb wire at 6" spacing.
- ⑦ All extra length posts more than 8 feet long require a minimum embedment of 4 feet. For Flood Plain Fencing, posts will be 8 feet long and spaced at 10 foot centers. Maximum interval of Pull Posts Assembly is 600 feet.

<b>IOWA DOT</b>	REVISION	
	5	10-17-17
	<b>STANDARD ROAD PLAN</b>	
<b>MI-104</b>		SHEET 2 of 2

REVISIONS: Added Designer Info button and Page 2 for Chain Link Fence.

*Brian Smith*  
APPROVED BY DESIGN METHODS ENGINEER

**FENCE CONSTRUCTION AT  
CHANNEL CROSSINGS, FLOOD PLAINS,  
AND MINOR GROUND DEPRESSIONS**