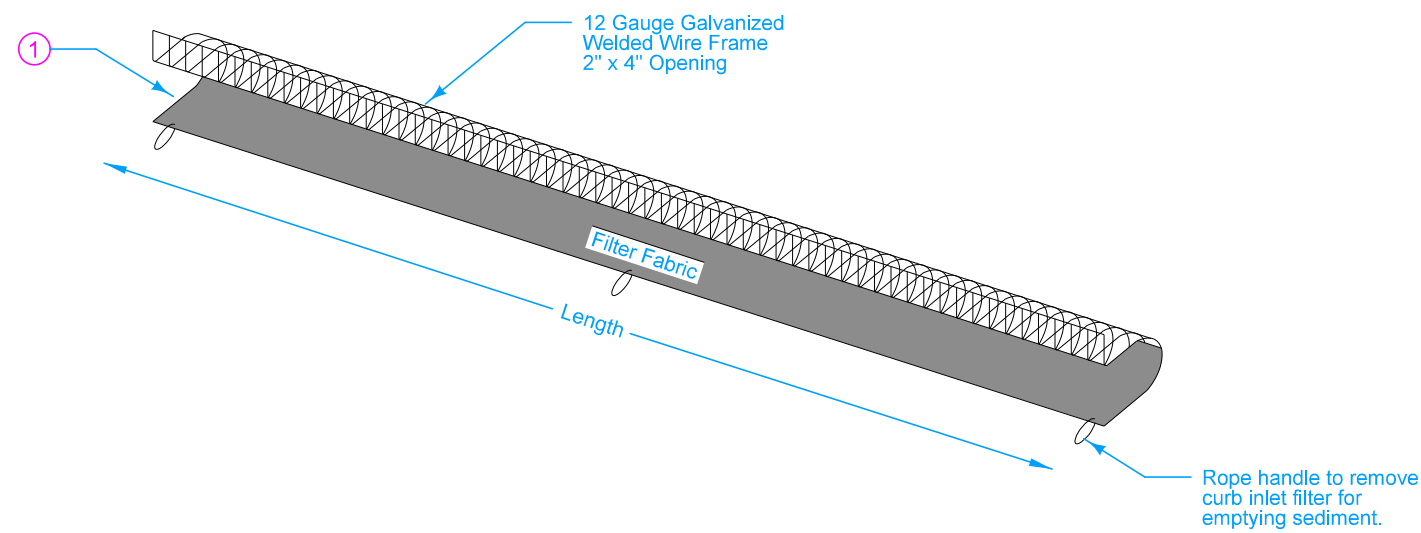
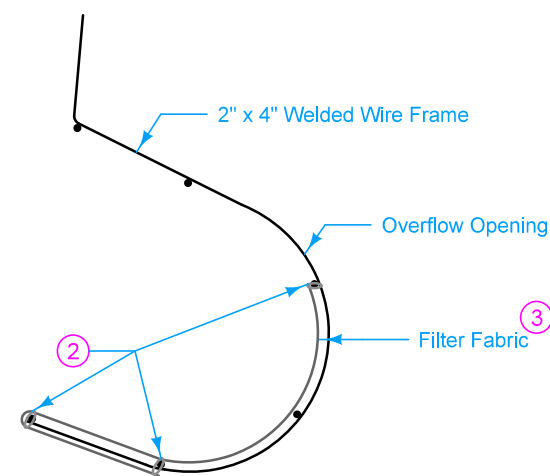


Remove sediment filter upon stabilization of sediment sources.

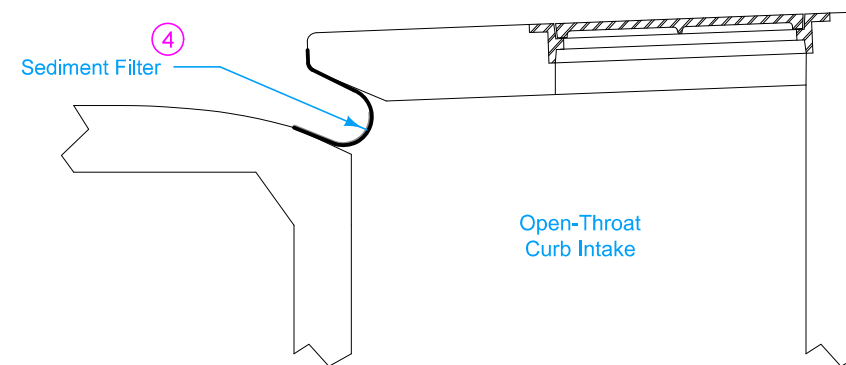
- ① Trim frame as needed to tightly fit in the intake throat. Overlap fabric a minimum of 3 inches and securely fasten.
- ② Securely attach filter fabric to the wire frame leaving an overflow opening above the filter fabric.
- ③ Woven material meeting the requirements of Table 4196.01-1 of the Standard Specifications, except a maximum apparent opening size US Sieve No. 10 and a minimum flow rate of 145 gallons per minute per square foot.
- ④ Insert sediment filter to create a compression fit in the intake throat. If overflow opening is not present after inserting filter, trim filter fabric so opening is present.



OPEN-THROAT CURB INTAKE SEDIMENT FILTER



SEDIMENT FILTER CROSS SECTION



SEDIMENT FILTER PLACEMENT

Possible Contract Items:
 Open-throat Curb Intake Sediment Filter
 Maintenance of Open-throat Curb Intake Sediment Filter
 Removal of Open-throat Curb Intake Sediment Filter

Possible Tabulation:
 100-36

 STANDARD ROAD PLAN	REVISION	
	1	10-15-24
EC-602		SHEET 1 of 1

REVISIONS: Update logo.

Shawn Miller
 APPROVED BY DESIGN METHODS ENGINEER

**OPEN-THROAT CURB INTAKE
 SEDIMENT FILTER**