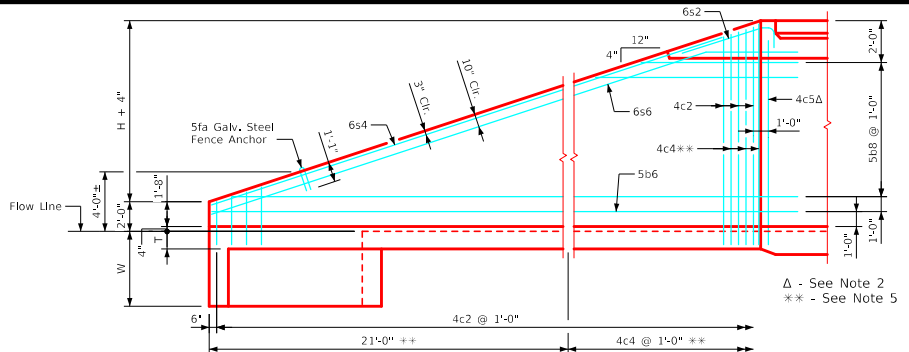
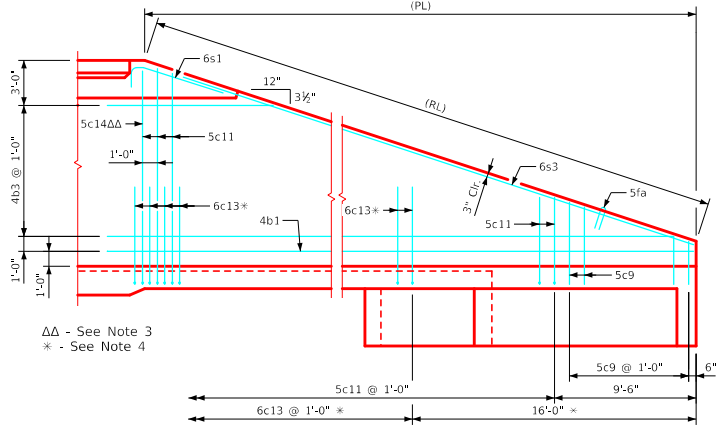


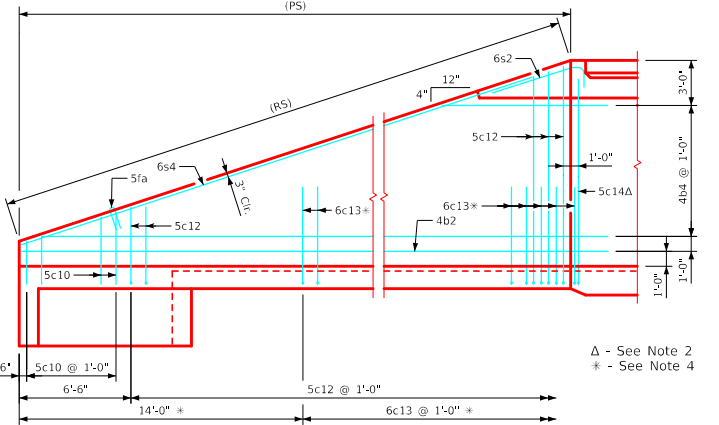
Typical View - Front Face Long Wingwall Reinforcing (PL)



Typical View - Front Face Short Wingwall Reinforcing (PS)

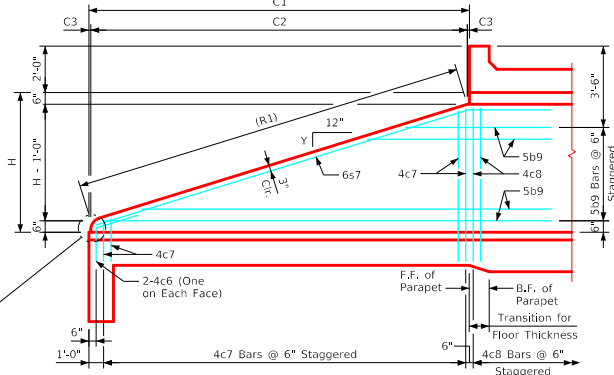


Typical View - Back Face Long Wingwall Reinforcing (RL)



Typical View - Back Face Short Wingwall Reinforcing (RS)

Culvert Height (H)	Slope (Y) Inches
4'	4 1/2
5'	4 1/4
6'	4 1/2
7'	4 1/4
8'	4 1/2
9'	5
10'	5 1/2
11'	5 1/4
12'	5 1/2



Typical View - Interior Wall

- Notes:
1. Bar spacings and positions shown are similar for all sizes of headwalls in this standard.
  2. Two 4c5 & two 5c14 bars for all headwalls.
  3. Two 4c5 & two 5c14 for 5', 7', 9', 10' & 12' height headwalls. One 4c5 & one 5c14 bar for 4', 6', 8' & 11' height headwalls.
  4. Not applicable for 4' & 5' height headwalls.
  5. Not applicable for 4' thru 8' height headwalls.
  6. For dimension table, see sheet TRFWH 15-2-21.
  7. Top of wall slope may be rounded in some instances.

LATEST REVISION DATE	APPROVED BY BRIDGE ENGINEER		
		Standard Design - Triple Reinforced Concrete Box Culverts	
		<b>Flared Wing Headwalls</b> February, 2021	
		Wingwall Details 15° Skew	TRFWH 15-6-21