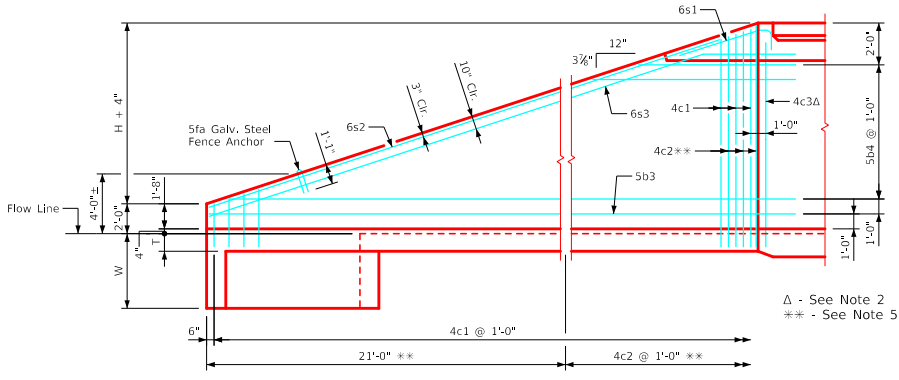
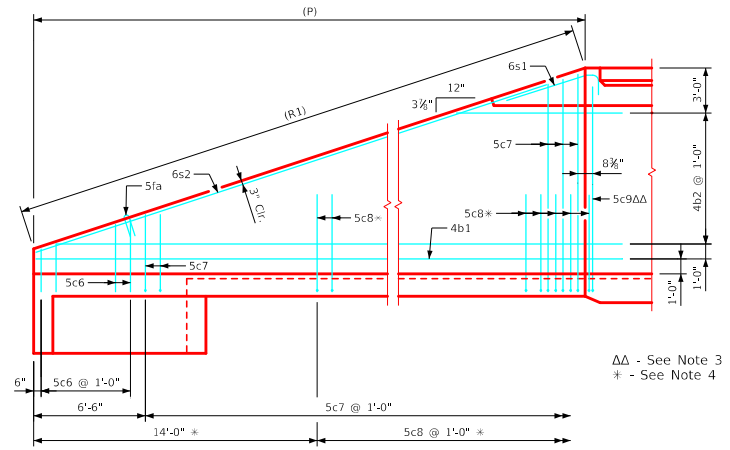


ENGLISH\RFDSIGNED\TRIPLE\CULVERTS\FWH.DGN - TRFWH 0-4-21 - THIS SHEET ISSUED 02-2021.

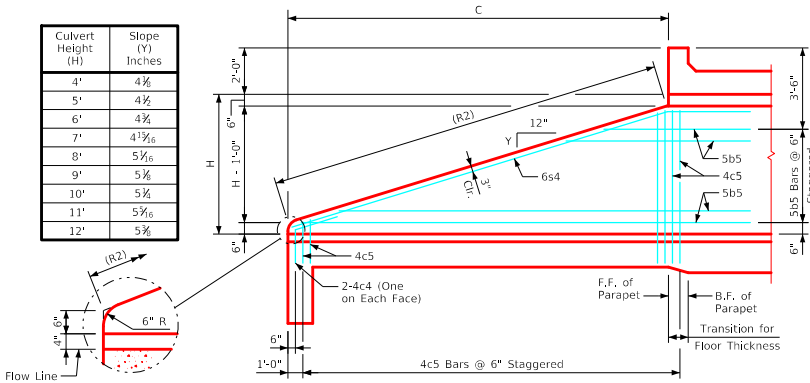


Typical View - Front Face Wingwall Reinforcing



Typical View - Back Face Wingwall Reinforcing

Culvert Height (H)	Slope (Y) Inches
4'	4 1/2"
5'	4 1/2"
6'	4 3/4"
7'	4 13/16"
8'	5 1/16"
9'	5 1/2"
10'	5 1/2"
11'	5 1/16"
12'	5 1/2"



Typical View - Interior Wall

Notes:

1. Bar spacings and positions shown are similar for all sizes of headwalls in this standard.
2. Two 4c3 bars for 4', 5', 11' & 12' height headwalls. One 4c3 bar for 6' thru 10' height headwalls.
3. Two 5c9 bars for 4', 5', 11' & 12' height headwalls. One 5c9 bar for 6' thru 10' height headwalls.
4. Not applicable for 4' & 5' height headwalls.
5. Not applicable for 4' thru 8' height headwalls.
6. For dimension table, see sheet TRFWH 0-1-21.
7. Top of wall slope may be rounded in some instances.

LATEST REVISION DATE	APPROVED BY BRIDGE ENGINEER		
		Standard Design - Triple Reinforced Concrete Box Culverts	
		<b>Flared Wing Headwalls</b> February, 2021	
		Wingwall Details 0° Skew	TRFWH 0-4-21