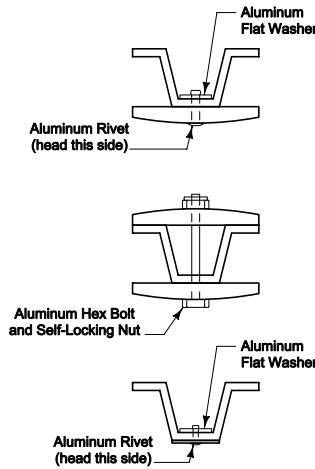


RIGID DELINEATOR MOUNTINGS



ATTACHMENTS

Place delineators at a constant distance from the edge of pavement and/or the edge of shoulder.

The delineator height is measured from the edge of pavement or the face of curb.

When placed behind curb, the delineator offset is measured from the face of curb. Allowable offsets are 2 feet minimum and 8 feet maximum. If the curb is part of a shoulder, maintain at least a minimum 8 foot offset from the edge of pavement.

When placed on the foreslope, the delineator offset is measured from the edge of shoulder. Allowable offsets are 2 feet minimum and 8 feet maximum. However, for shoulders less than 6 feet in width, maintain a minimum 8 feet to the edge of pavement.

Refer to the project plans for specific offset dimensions.

Furnish white, yellow, and/or red reflectors as specified in the project plans.

Furnish Type I delineator posts. Post lengths are to be sufficient to ensure the proper installation height and provide a minimum of 2'-6" embedment. See Table I for post lengths for various slope and offset conditions.

Install delineators truly vertical.

Delineators placed along freeways and expressways are to be spaced every 0.05 mile along the thru roadway. Placements are based on the reference post marker. A Delineator Reference Point Plaque is required on each delineator for both directions of travel.

Fabricate plaques from 0.063 inch thick sheet aluminum of the appropriate dimensions. Use non-reflectORIZED sheeting. White for the background, and black for the numerals.

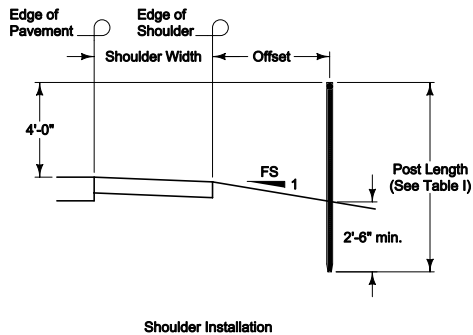
Attach single reflectors to the post with an aluminum, brazier head, blind rivet of $\frac{3}{16}$ inch diameter and a grip range of 0.376 to 0.625 inches, and an aluminum flat washer of 0.193 in. ID x 0.750 in. OD x 0.091 in. thickness.

Attach back to back reflectors to the post with an aluminum $\frac{3}{16}$ in. dia x $2\frac{1}{2}$ in. length hex head bolt with a matching self-locking nut.

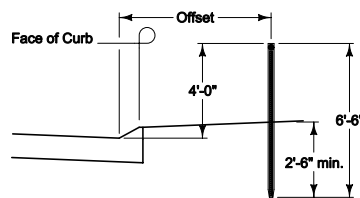
Attach plaques to the post with an aluminum, brazier head, blind rivet of $\frac{1}{8}$ inch diameter and a grip range of 0.126 to 0.250 inches, and an aluminum flat washer of 0.129" ID x 0.750" OD x 0.091" thickness.

All materials shall comply with Standard Specification 4186.

Post Lengths for Shoulder Installation						
Offset ft	Foreslope Rate (FS:1)					
	10:1	6:1	4:1	3:1	2:1	
2	8	8	8	8	8	
4	8	8	8	10	10	
6	8	8	10	10	10	
8	8	10	10	10	12	

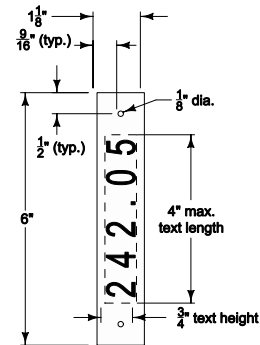


Shoulder Installation



Curb Installation

DELINEATOR POST LOCATIONS



DELINEATOR REFERENCE POINT PLAQUE

<p>Iowa Department of Transportation</p> <p>STANDARD ROAD PLAN</p> <p>REVISIONS: New. Replaces RE-7.</p> <p><i>Deanna Maifield</i> APPROVED BY DESIGN METHODS ENGINEER</p>	<p>REVISION</p> <p>New 04-20-10</p>
	<p>SI-172</p> <p>SHEET 1 of 1</p>
<p>DELINEATORS</p>	