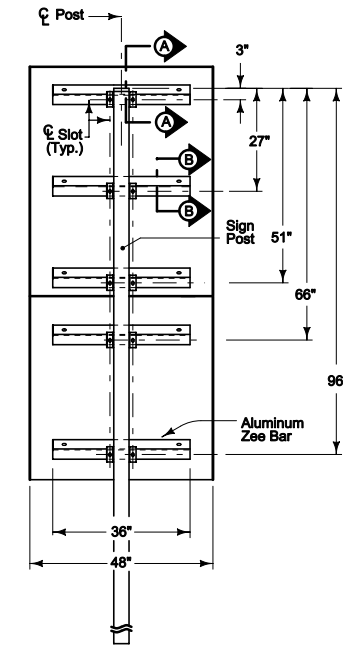
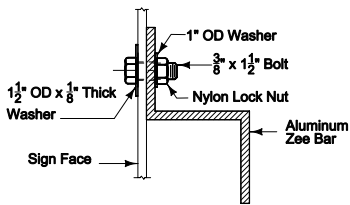


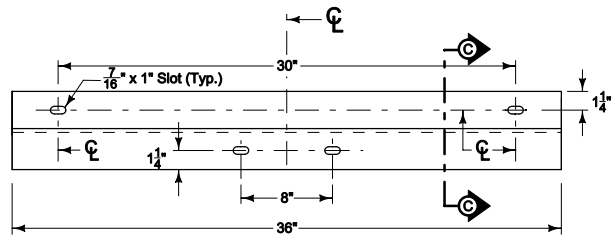
**WOOD POST INSTALLATION**



**BACK ELEVATION  
4" x 6" RECTANGULAR TUBE  
POST ATTACHMENT DETAILS**

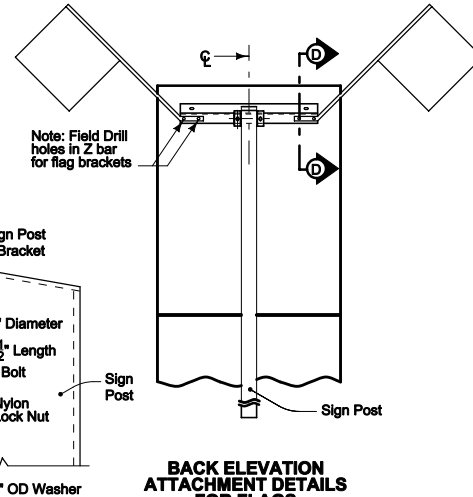


**SECTION B-B**

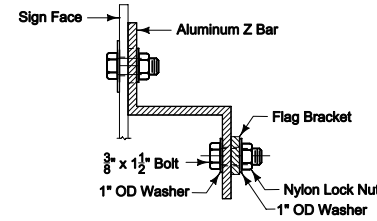


**ALUMINUM ZEE BAR**

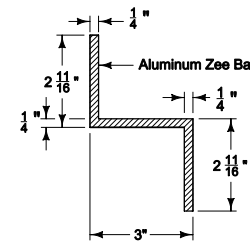
**RECTANGULAR TUBE  
POST INSTALLATION**



Refer to SI-114 for details of steel breakaway sign post rectangular tube.



**SECTION D-D**



**SECTION C-C**

Possible Contract Items:  
Steel Breakaway Sign Post  
Wood Sign Post

<p>Iowa Department of Transportation</p> <p><b>STANDARD ROAD PLAN</b></p> <p>REVISIONS: Added rectangular tube post attachment details.</p> <p><i>Deanna McFalls</i> APPROVED BY DESIGN METHODS ENGINEER</p>	REVISION	10-19-10
	2	
	<p><b>SI-131</b></p> <p>SHEET 1 of 1</p>	

**INSTALLATION -  
TYPE 'A' SIGNS**