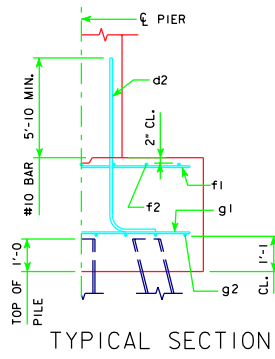
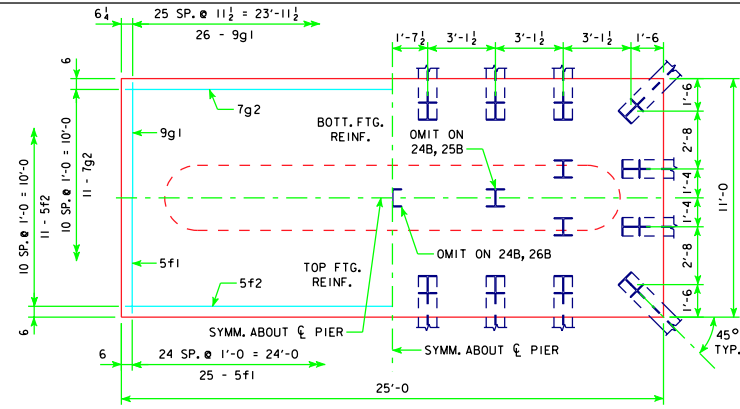


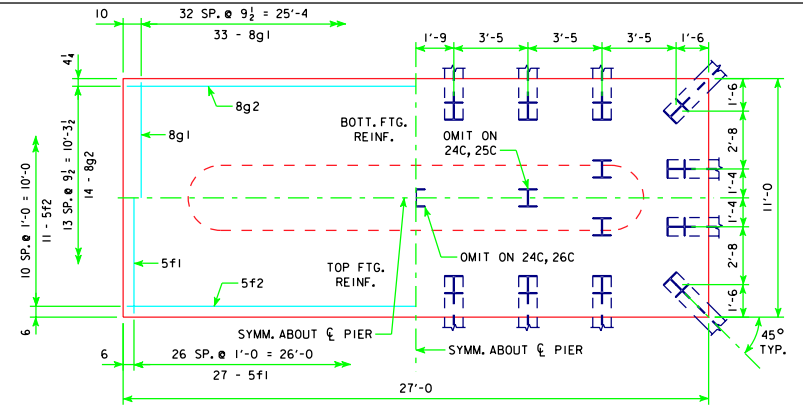
REVISED 11-09 - SHEET WAS REVISED TO MEET LRFD SPECIFICATIONS.



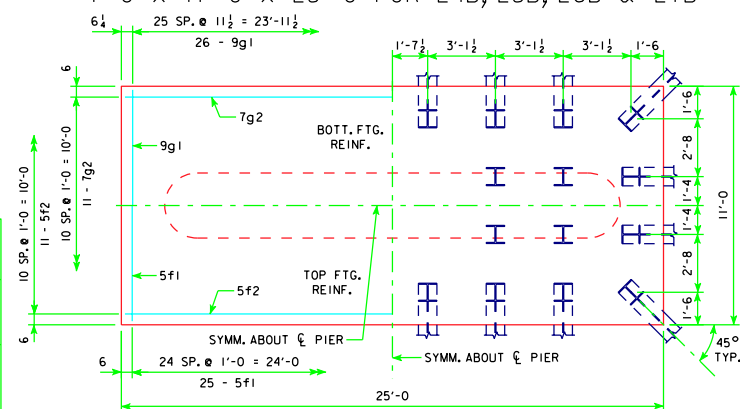
TYPICAL SECTION



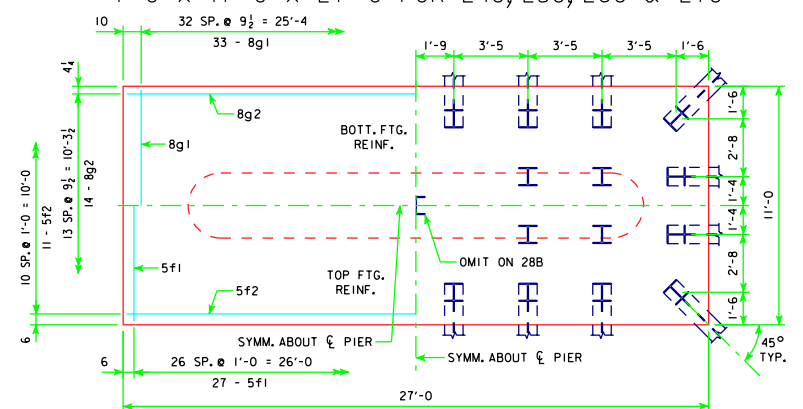
4'-0 x 11'-0 x 25'-0 FOR 24B, 25B, 26B & 27B



4'-0 x 11'-0 x 27'-0 FOR 24C, 25C, 26C & 27C



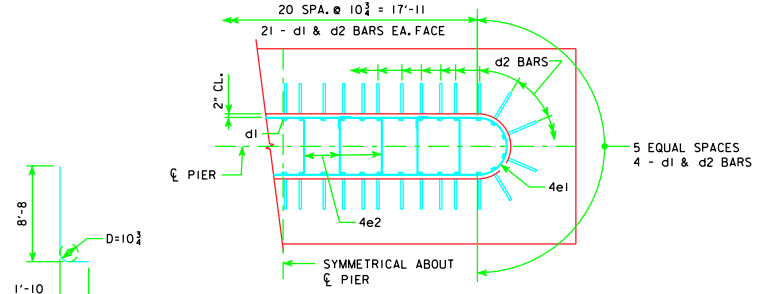
4'-0 x 11'-0 x 25'-0 FOR 28A



4'-0 x 11'-0 x 27'-0 FOR 28B & 29A

H IN FT.	CL. - CL. ABUT. BRG.	PILING (HP10x57)		FOOTING SIZE
		NO. & LAYOUT	DES. BRG. (TONS)	
20'-4	24B	49	141	4' x 11' x 25'
21'-10	24B	50	146	
22'-6	24B	50	144	
24'-0	27B	50	146	
20'-4	24B	50	143	4' x 11' x 25'
21'-10	25B	50	145	
22'-6	26B	50	146	
24'-0	28A	50	144	
20'-4	24C	50	143	4' x 11' x 27'
21'-10	25C	50	144	
22'-6	26C	50	145	
24'-0	28B	49	143	
20'-4	24C	50	145	4' x 11' x 27'
21'-10	25C	50	146	
22'-6	27C	50	144	
24'-0	28B	50	145	
20'-4	25C	50	145	4' x 11' x 27'
21'-10	26C	50	145	
22'-6	28B	49	142	
24'-0	29A	50	144	

FOOTING SIZE	REINFORCING STEEL (ONE FOOTING)			TOTAL WEIGHT (LB.)	STRUCTURAL CONCRETE (CY)	
	BAR	NO., SIZE & SPACING	LENGTH			WEIGHT (LB.)
4' x 11' x 25'	d2	50 - #10 AS SHOWN	10'-6	2259	4318	40.7
	f1	25 - #5 @ 1'-0	10'-8	278		
	f2	11 - #5 @ 1'-0	24'-8	283		
	g1	26 - #9 @ 0'-11 1/2	10'-8	943		
4' x 11' x 27'	g2	11 - #7 @ 1'-0	24'-8	555	4802	44.0
	d2	50 - #10 AS SHOWN	10'-6	2259		
	f1	27 - #5 @ 1'-0	10'-8	300		
	f2	11 - #5 @ 1'-0	26'-8	306		
4' x 11' x 27'	g1	33 - #8 @ 0'-9 1/2	10'-8	940		
	g2	14 - #8 @ 0'-9 1/2	26'-8	997		



d2 BAR LAYOUT

(SEE SECTION A-A ON SHEET H44-66-07.)

- NOTE: D = PIN DIAMETER. DIMENSIONS ARE OUT TO OUT.
- ① FOR DETERMINING ACTUAL PILE LENGTHS IN FIELD.
 - ② FOR ESTIMATING PILE LENGTHS USING AASHTO LRFD SPECIFICATIONS.

FOOTING NOTES:

THESE FOOTINGS ARE DESIGNED AND DETAILED TO BE USED WITH THE CAP AND COLUMN DETAILS OF THE TEE PIERS AS SHOWN ON SHEET H44-66-07.

BATTER PILES IN EXTERIOR ROWS 1:4 IN THE DIRECTION SHOWN.

STEEL PILING USED AS POINT BEARING SHALL HAVE A MINIMUM DISTANCE OF APPROXIMATELY 10 FEET FROM BOTTOM OF FOOTING TO TOP OF BEARING ROCK. THE PILE LAYOUTS ARE SUCH THAT THE DISTANCE CENTER TO CENTER OF ADJACENT PILING SHALL NOT EXCEED 8'-0".

11-09 LATEST REVISION DATE	 APPROVED BY BRIDGE ENGINEER	 STANDARD DESIGN - 44' ROADWAY, THREE SPAN BRIDGE PRETENSIONED PRESTRESSED CONCRETE BEAM BRIDGES MARCH, 2007	
		TEE PIER - 50 TON STEEL PILE FOOTINGS 30° SKEW - H=25' TO 40'	
		H44-69-07	