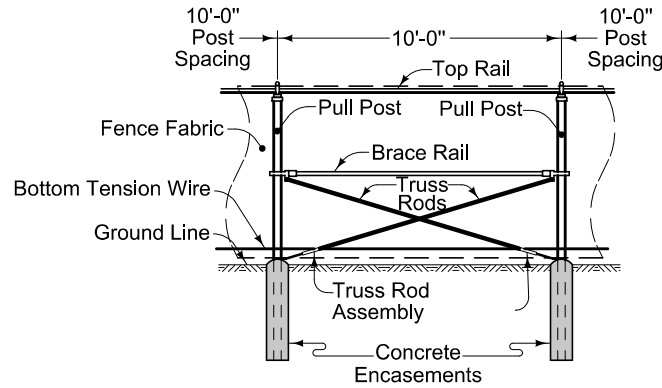


POST INSTALLATION

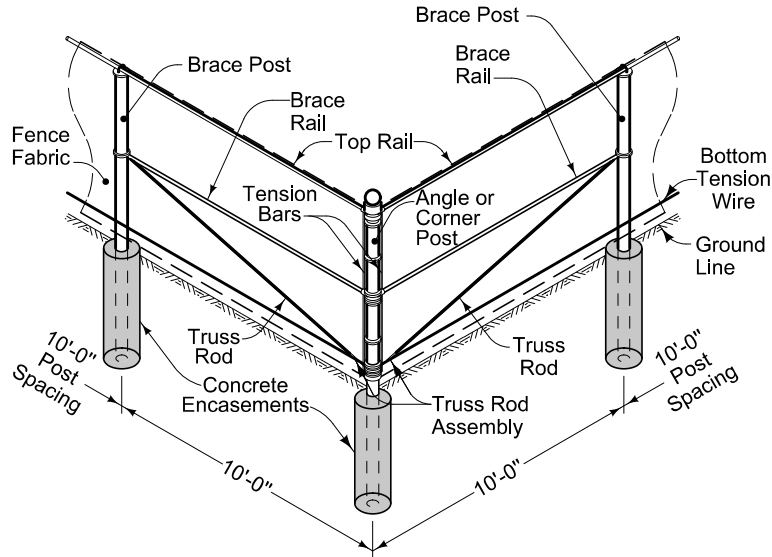


PULL POST INSTALLATION

Place fence fabric on roadway side of post. For certain curves, stream crossings, or other locations, the Contractor has the option to place fabric on the side of the post away from the roadway.

Residential chain link fence does not include braces, truss rod assembly, tension wire, tension bar, tension band, or grounds

- ① Fabric width as specified in the contract documents.
- ② For fence heights greater than 8 feet, the depth of the fence post footing is 3 feet plus 3 inches for each 1 foot in height over 8 feet.
- ③ Install the fence on the roadway side of the right-of-way when specified in the contract documents.

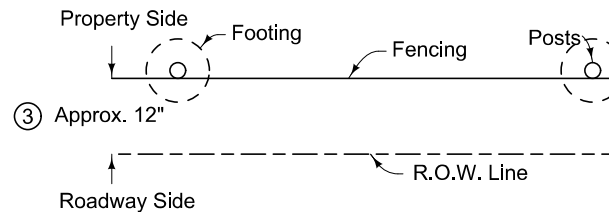


ANGLE OR CORNER POST INSTALLATION

FENCE POST FOOTING DEPTH AND DIAMETER

| USE IN FENCE | FENCE HEIGHT | | | | | |
|----------------------|----------------|-------|---------------------|-------|------------|---|
| | 4'-0" and less | | Over 4'-0" to 8'-0" | | Over 8'-0" | |
| | X | Y | X | Y | X | Y |
| Line and Brace Posts | 0'-8" | 3'-0" | 0'-10" | 3'-0" | 1'-0" | ② |
| Terminal Post* | 0'-10" | 3'-0" | 1'-0" | 3'-0" | 1'-4" | ② |

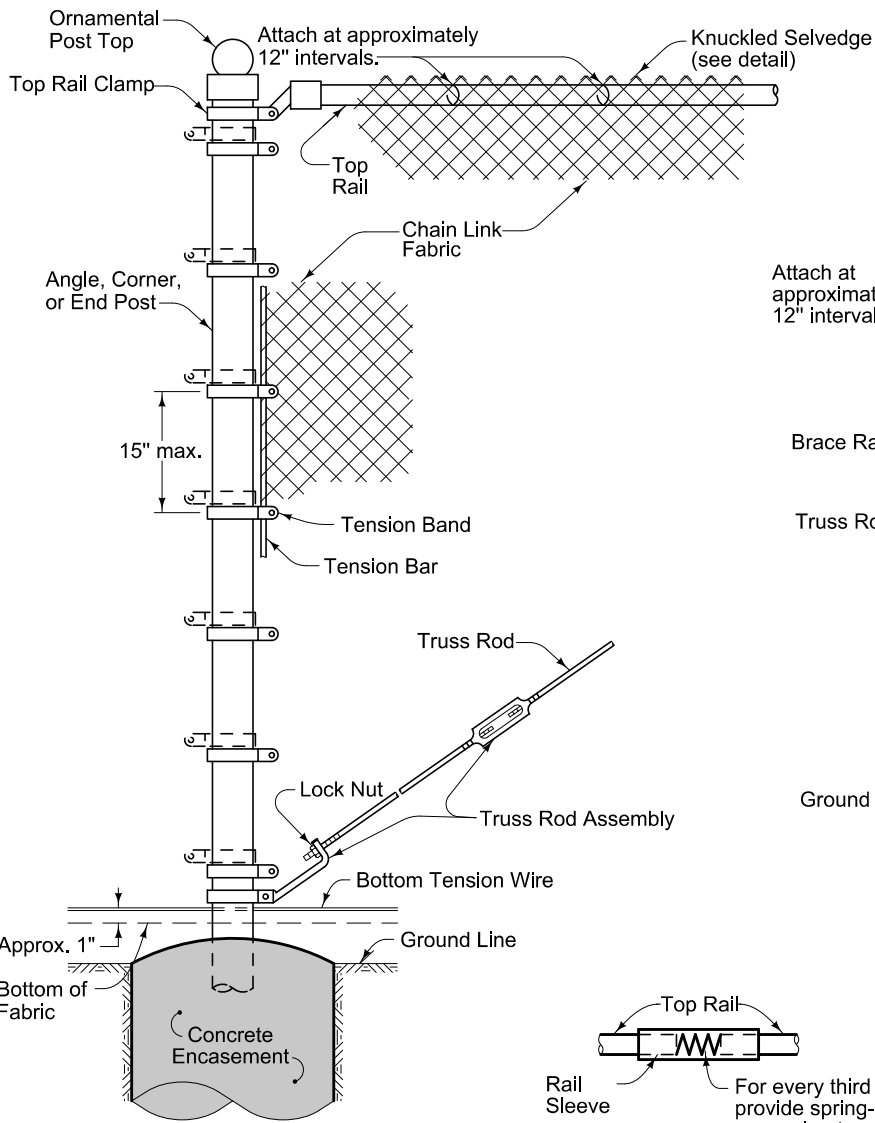
*Includes corner, angle, end, and pull posts.



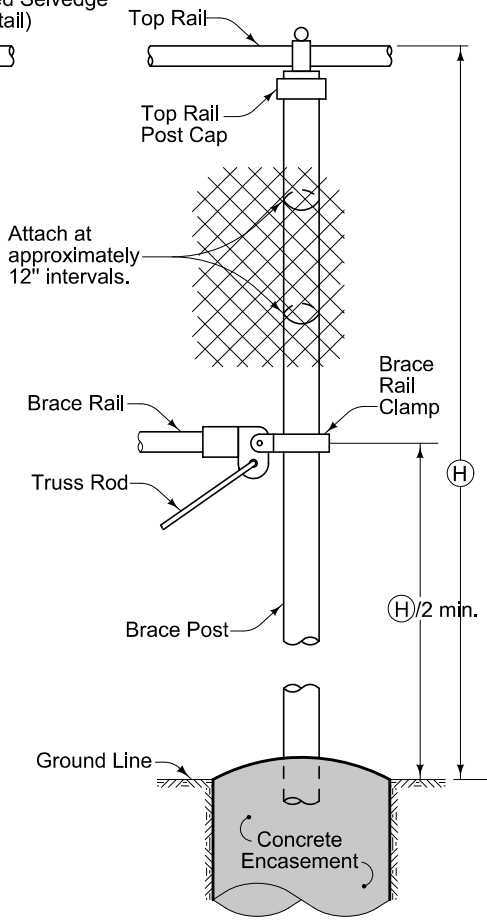
PLAN OF FENCE

FIGURE 9060.101 SHEET 1 OF 2

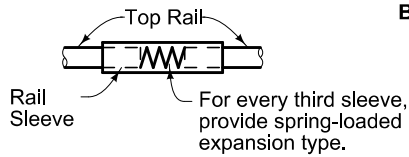
| | |
|-------------------------------|-------------------------------------|
| SUDAS | <small>REVISION</small> 1 2024 |
| | 9060.101 |
| | SHEET 1 of 2 |
| SUDAS Standard Specifications | |
| CHAIN LINK FENCE | |



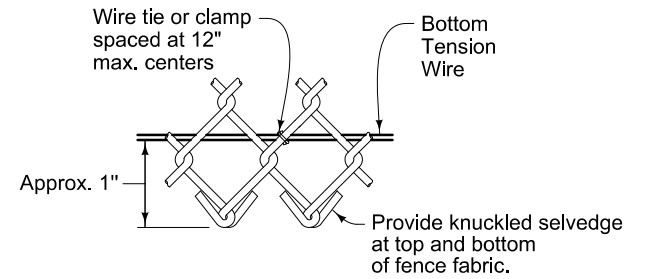
ANGLE, CORNER, OR END POST ASSEMBLY



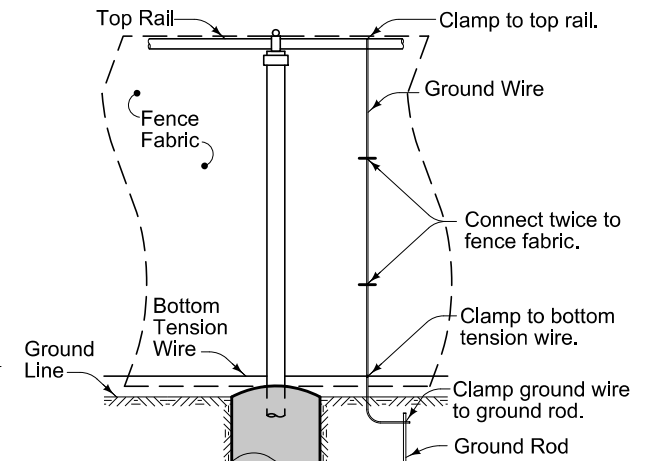
BRACE POST ASSEMBLY



RAIL SLEEVE




BOTTOM TENSION WIRE AND KNUCKLED SELVEDGE



GROUND ROD INSTALLATION

FIGURE 9060.101 SHEET 2 OF 2

| | |
|---|----------------------|
|  | REVISION 1 2024 |
| | 9060.101 |
| | SHEET 2 of 2 |
| SUDAS Standard Specifications | |
| CHAIN LINK FENCE | |