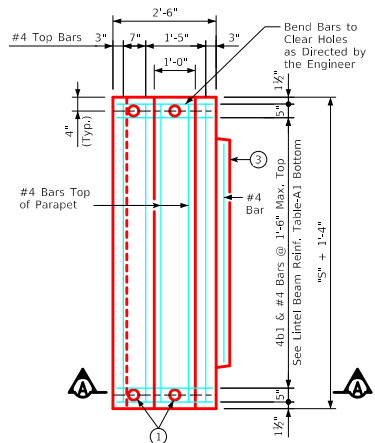
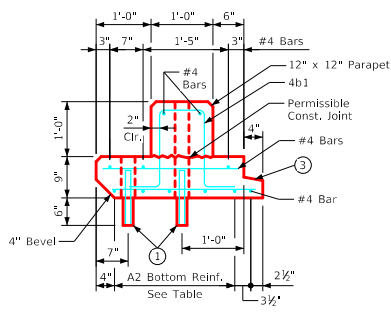


ENGLISHIGNEDPRECASTCULVERTS.DGN - PES 9-20-T3 - THIS SHEET ISSUED 12-2020.



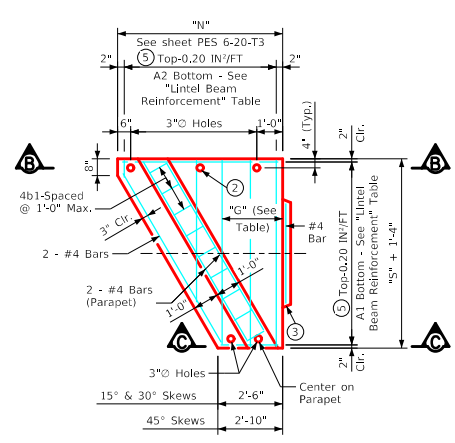
Plan of Square Lintel Beam
(Tongue Option Shown)



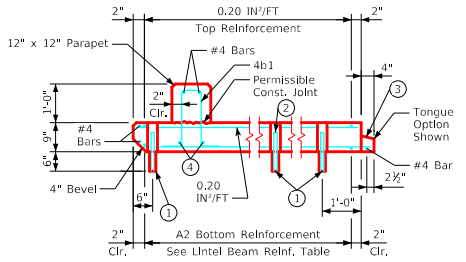
Section A-A
(Tongue Option Shown)

0° Skew Lintel Beam
(For Skews up to 7°30')

Span S (FT)	Lintel Beam Reinforcement			
	Bottom Reinforcement		Rebar Option	
	WWR Option	A2 (IN/FT)	A1	A2
6	0.13	0.26	#4 @ 12"	3 - #4 @ 12"
8	0.16	0.32	#4 @ 12"	4 - #4 @ 8"
10	0.20	0.40	#4 @ 12"	3 - #5 @ 12"
12	0.25	0.49	#5 @ 12"	4 - #5 @ 8"



Plan View



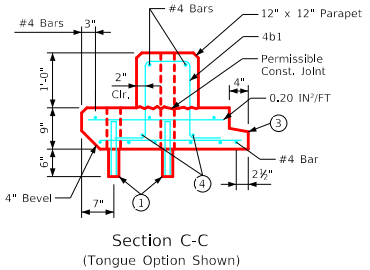
Section B-B

Skewed Lintel Beam
(For Skews of 7°30' to 45°)

Span S (FT)	Length G Along Barrel C of Skewed Lintel Beam		
	15° Skew	30° Skew	45° Skew
6	1'-4 1/8"	2'-3 1/8"	3'-8 1/8"
8	1'-8 1/8"	2'-10 1/8"	4'-8 1/8"
10	1'-11 3/8"	3'-5 3/8"	5'-8 1/8"
12	2'-2 3/8"	4'-0 1/2"	6'-8 1/8"

Span S (FT)	Lintel Beam Reinforcement			
	Bottom Reinforcement		Rebar Option	
	WWR Option	A2 (IN/FT)	A1	A2
6	0.28	0.55	#5 @ 12"	#5 @ 6"
8	0.38	0.76	#6 @ 12"	#6 @ 6"
10	0.50	1.00	#7 @ 12"	#7 @ 6"
12	0.65	1.30	#8 @ 12"	#8 @ 6"

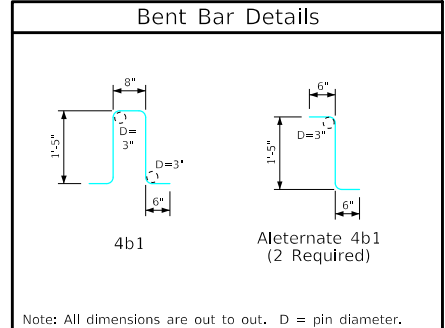
Span S (FT)	Skewed Parapet Reinforcement		
	Bottom Reinforcement		
	WWR Option	A1	A2
6	2 - #5	2 - #6	2 - #6
8	2 - #6	2 - #6	2 - #7
10	2 - #7	2 - #7	2 - #8
12	2 - #7	2 - #8	3 - #8



Section C-C
(Tongue Option Shown)

Notes:

- 1 Precast lintel beams shall be constructed in accordance with precast barrel and end section details and notes, except as modified below:
- 2 Reinforcing for precast lintels and parapets shall be either welded wire reinforcing (WWR) meeting the requirements of AASHTO LRFD Section 5 or reinforcing bars meeting the requirements of ASTM A615 (60 KSI). Wire spacing for WWR shall not exceed 4 inches for primary steel and 8 inches for distribution steel.
- 3 Place #8 dowel, 1'-0" long into 2 inch dia. hole in the top of the wall section and 3 inch dia. hole in the lintel beam. Fill holes with grout.
- 4 Cast additional 3 inch holes to maintain a 4 foot maximum hole spacing.
- 5 Check the location to determine whether a tongue or a groove is used. Tongue and groove to terminate at culvert radius.
- 6 See "Skewed Parapet Reinforcement" table.
- 7 Areas shown are for welded wire fabric. If rebar is used, #4 at a max. of 11 inch spacing should be used.



LATEST REVISION DATE
APPROVED BY BRIDGE ENGINEER



Standard Design
Single Precast Reinforced
Concrete Box Culverts
December, 2020

Type 3 Lintel
Beam Details

PES 9-20-T3

For Skews 0° to 45°; 6' - 12' Spans