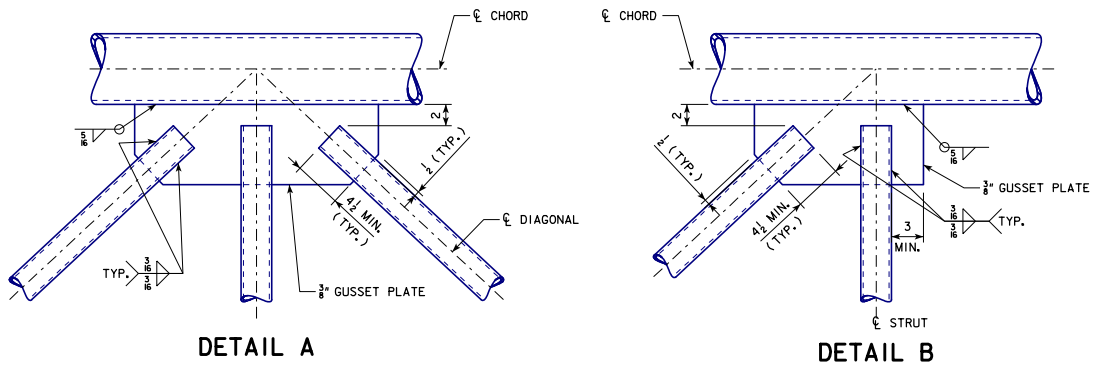
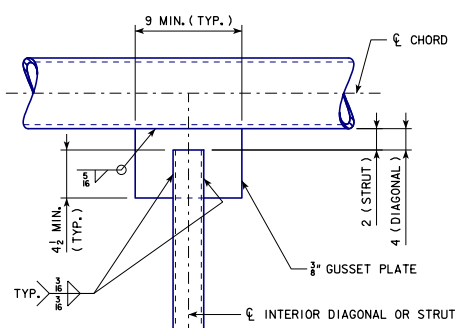


*REVISED 03-2018: UPDATED BRIDGE ENGINEER SIGNATURE.
 *REVISED 03-2019: MODIFIED FORMATTING OF CALLOUTS TO IMPROVE CLARITY.
 *STEELCANTILEVERSTRUSS.sgn - SCST-05-17 - THIS SHEET ISSUED 07-2017.



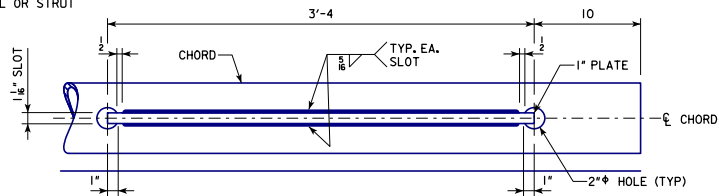
DETAIL A

DETAIL B

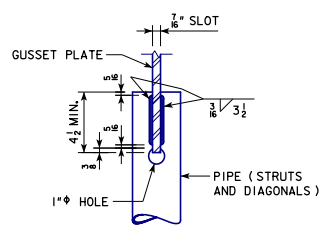


DETAIL C

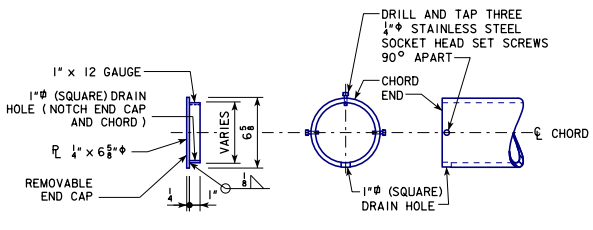
DETAIL A, DETAIL B, AND DETAIL C SHOW CONNECTIONS AT TOP CHORDS. CONNECTIONS AT BOTTOM CHORDS ARE SIMILAR.



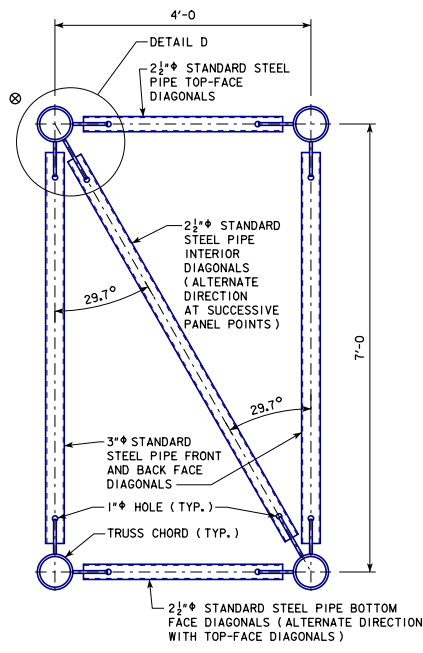
SLOTTED CHORD DETAIL
TYPICAL AT CHORD-TO-1" PLATE CONNECTIONS



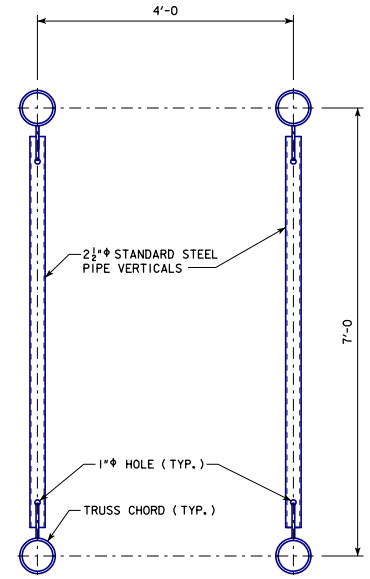
SLOTTED PIPE ENDS
TYPICAL FOR STRUTS AND DIAGONALS



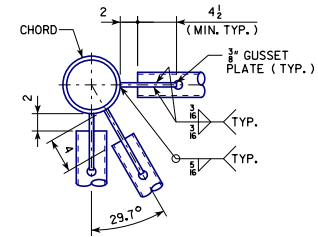
END CAP DETAIL
TYPICAL FOR ENDS OF CHORDS



SECTION F-F



SECTION G-G



DETAIL D

⊗ INDICATES THE CONNECTION OF INTERIOR DIAGONALS IN VERTICAL PLANE TO THE TOP CHORD MEMBERS. SEE SECTION F-F.

SEE STANDARD SHEET SCST-02-17 FOR LOCATIONS OF DETAILS A, B AND C AND SECTIONS F-F AND G-G.

LATEST REVISION DATE 03-2019 APPROVED BY BRIDGE ENGINEER 		
	STANDARD DESIGN STEEL CANTILEVER SIGN TRUSS JULY, 2017	
	GUSSET PLATE CONNECTION DETAILS	SCST-05-17