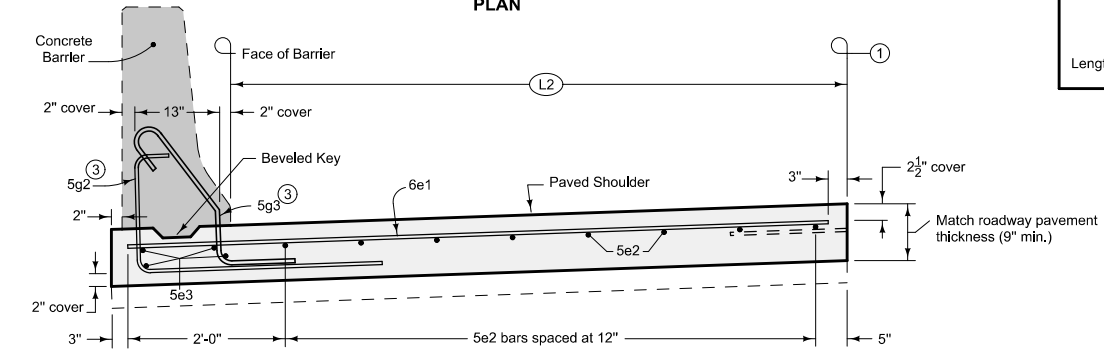


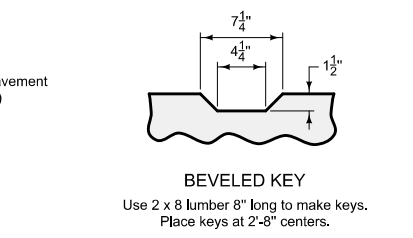
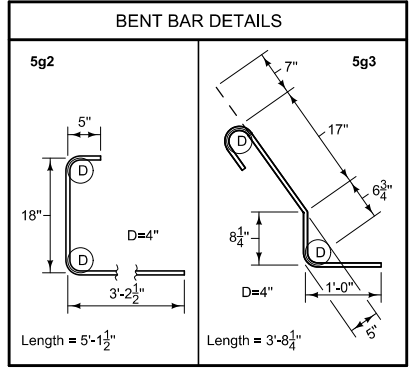
PLAN



TYPICAL SECTION

REINFORCING BAR LIST				
Per Shoulder Panel (Approximately 20 Linear Feet)				
(L2)	Bar	Number of Bars	Length	Spacing
4'	6e1	18	5'-1"	12"
	5e2	4	18'-0"	12"
6'	6e1	18	7'-1"	12"
	5e2	6	18'-0"	12"
8'	6e1	18	9'-1"	12"
	5e2	8	18'-0"	12"
10'	6e1	18	11'-1"	12"
	5e2	10	18'-0"	12"
12'	6e1	18	13'-1"	12"
	5e2	12	18'-0"	12"
Applies to all Shoulder Widths	5e3	4	18'-8"	See Drawing
	5g2 (3)	15	5'-1 1/2"	1'-4"
	5g3 (3)	15	3'-8 1/4"	1'-4"

ESTIMATED SHOULDER QUANTITIES					
Per Linear Foot					
	(L2)				
	4'	6'	8'	10'	12'
Concrete Sq. Yds.	0.62	0.84	1.06	1.29	1.51



- ① 'L-2' or 'KT-2' joint. When roadway pavement is existing, use 'BT-3' joint. See PV-101.
- ② 'CD' joint. Match roadway joint locations. See PV-101. No 'CD' joint baskets required within 4' of outside edge of shoulder.
- ③ When shoulder will be located under a concrete barrier end section, replace 5g2 and 5g3 bars with reinforcement as shown on BA-107.

Possible Contract Item:
Reinforced Paved Shoulder

Possible Tabulation:
108-18B

 Iowa Department of Transportation	REVISION
	2 10-18-11
	BA-106
STANDARD ROAD PLAN	SHEET 1 of 1
REVISIONS: Changed 5g2 bar to 5g3 bar in reinforcing bar list.	
 APPROVED BY DESIGN METHODS ENGINEER	
REINFORCED PAVED SHOULDER FOR CONCRETE BARRIER	