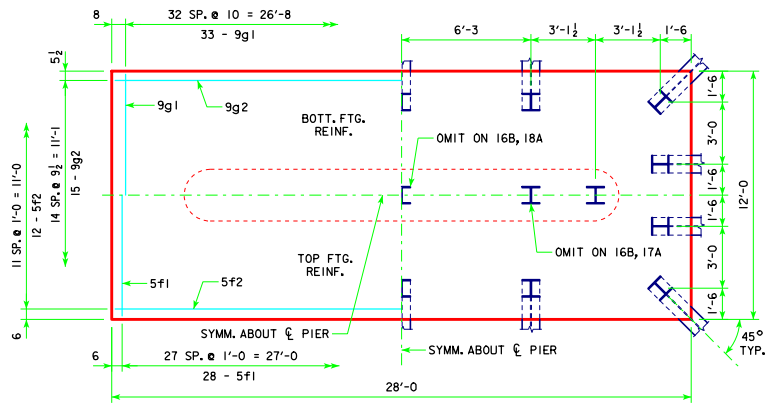
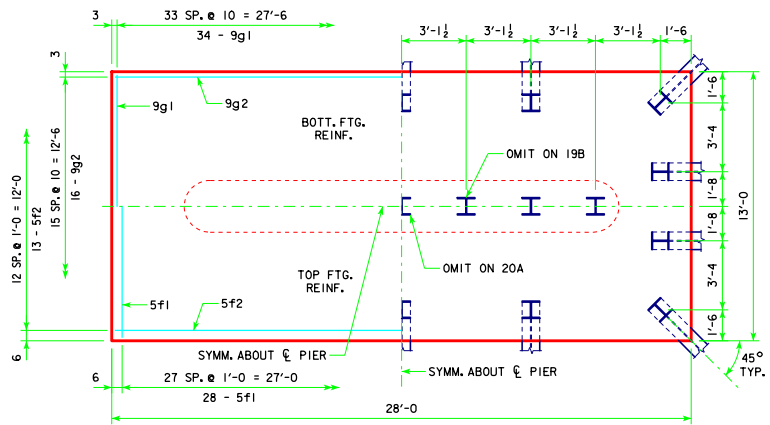


REVISED 05-13 - REVISION FOR LRFD PILE DESIGN.




4'-0 x 12'-0 x 28'-0 FOR 16B, 17A, 18A & 19A



4'-0 x 13'-0 x 28'-0 FOR 19B & 20A

NOTE:  
SEE SHEET RS40-141-10 FOR FOOTING NOTES.

05-13 LATEST REVISION DATE  <i>Norman E. Mc Donald</i> APPROVED BY BRIDGE ENGINEER	 <b>Iowa Department of Transportation</b> Highway Division
	STANDARD DESIGN - 40' ROADWAY, 3 SPAN BRIDGES <b>ROLLED STEEL BEAM BRIDGES</b> JUNE, 2010
<b>TEE PIER-HPI0x57 SRL-2</b> <b>STEEL PILE FOOTINGS</b> <small>20° SKEW - SHEET 3</small>	<b>RS40-143-10</b>