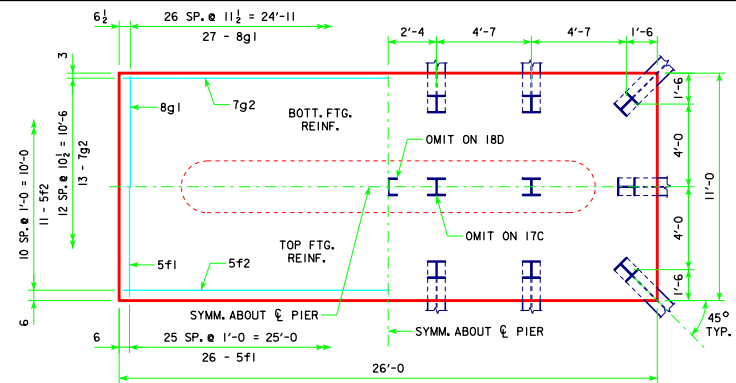
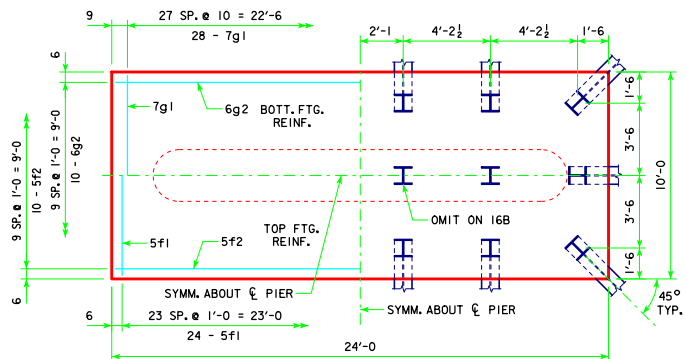


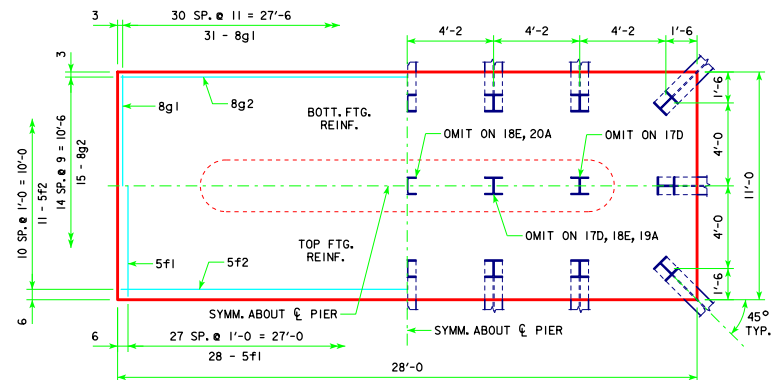
4'-0 x 9'-0 x 24'-0 FOR 15A, 16A, 17A & 18A



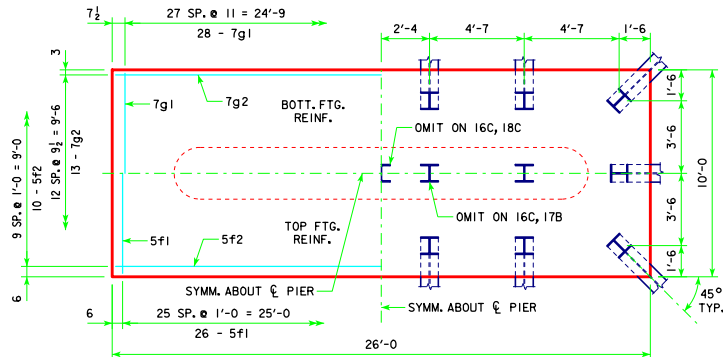
4'-0 x 11'-0 x 26'-0 FOR 17C & 18D



4'-0 x 10'-0 x 24'-0 FOR 16B & 18B



4'-0 x 11'-0 x 28'-0 FOR 17D, 18E, 19A, 20A & 21A



4'-0 x 10'-0 x 26'-0 FOR 16C, 17B & 18C

NOTE:
SEE SHEET RS40-118-14 FOR FOOTING NOTES.

LATEST REVISION DATE <i>Thomas E. McQuinn</i> APPROVED BY BRIDGE ENGINEER	
	STANDARD DESIGN - 40' ROADWAY, 3 SPAN BRIDGES ROLLED STEEL BEAM BRIDGES OCTOBER, 2014
TEE PIER-HPI0x57 SRL-1 STEEL PILE FOOTINGS 0° SKEW - SHEET 2	RS40-119-14