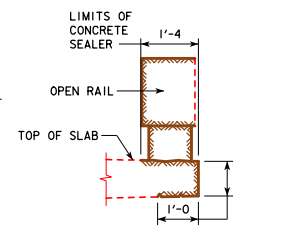
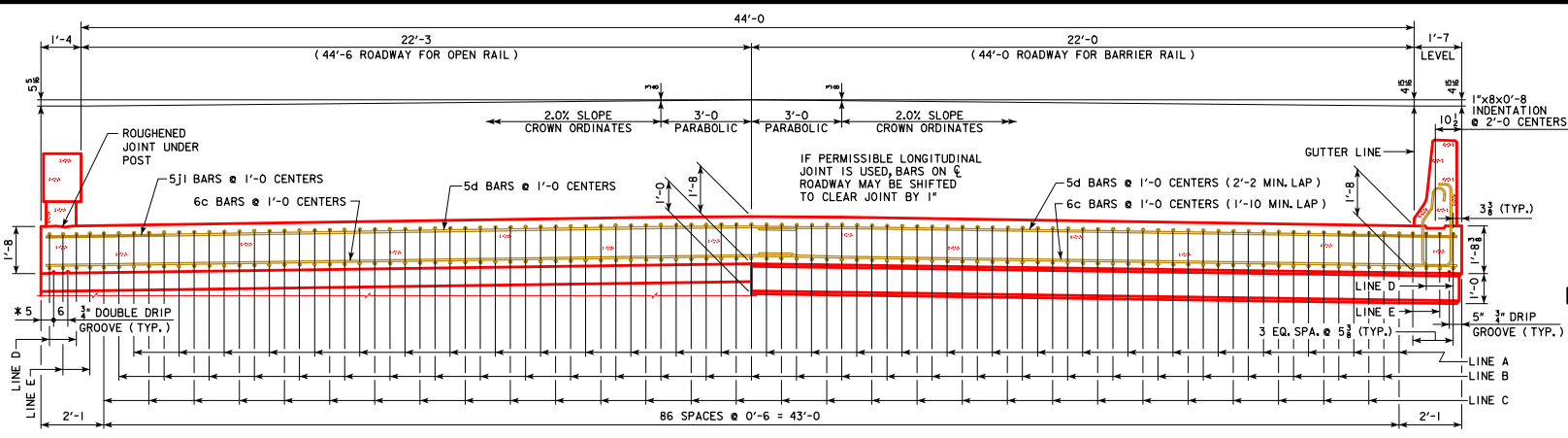


REVISED 07-16-DATE ON SHEET CHANGED TO CORRECT CLERICAL ERROR.  
REVISED 08-2020: UPDATED BRIDGE ENGINEER SIGNATURE. ADDED 3 (TYP.) & 5 (TYP.) HORIZONTAL DIMENSIONS TO LONGITUDINAL SLAB REINFORCING LINE D & E IN "HALF SECTION NEAR PIER".



**CONCRETE SEALER LIMITS FOR OPEN RAILS**

CONCRETE SEALER SHALL BE APPLIED TO BOTH SIDES OF BRIDGE SLAB ON THE TOP, EDGE OF SLAB AND UNDER THE SLAB. THE CONCRETE SEALER SHALL ALSO BE APPLIED TO THE OPEN RAIL ON THE TOP, TRAFFIC FACE SIDE, BOTTOM OF RAIL, AND ON ALL SIDES OF THE OPEN RAIL POSTS.

THE CONCRETE SEALER LIMITS ARE SHOWN IN THE DETAIL AND SHALL APPLY TO THE FULL LENGTH OF BRIDGE. CONCRETE SEALER SHALL BE APPLIED IN ACCORDANCE WITH ARTICLE 2403.03, P. 3 OF THE STANDARD SPECIFICATIONS.

\* NOTE: DOUBLE DRIP GROOVES FOR OPEN RAIL OPTION ONLY.

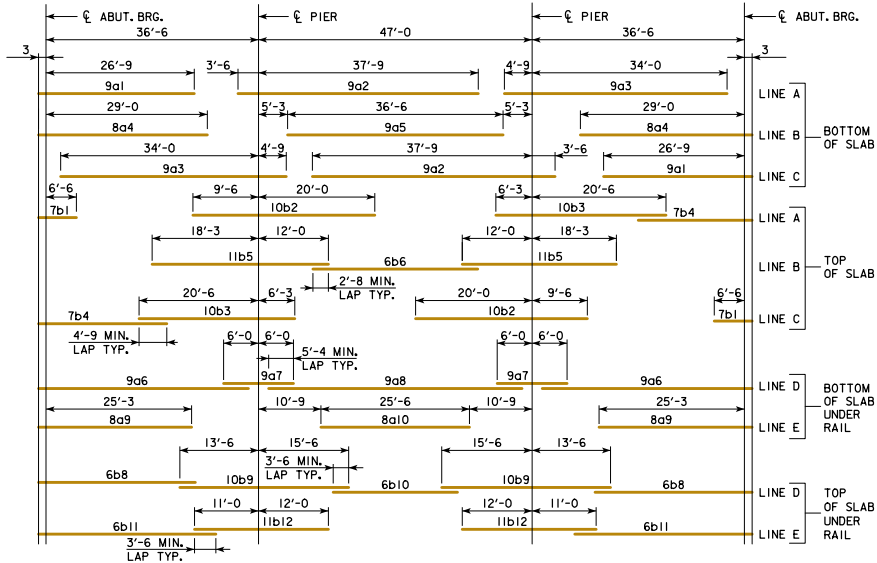
**HALF SECTION NEAR ABUTMENT**

SLAB CROSS-SECTIONAL AREA FOR OPEN RAIL = 78.61 SQ. FT.

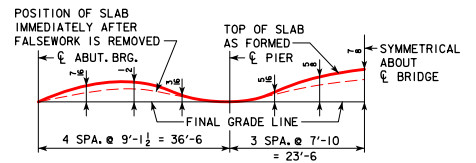
NOTE: TOP LONGITUDINAL REINFORCING STEEL IS TO BE PARALLEL TO AND 2 1/2' CLEAR BELOW TOP OF SLAB. BOTTOM LONGITUDINAL REINFORCING STEEL IS TO BE PARALLEL TO AND 1 1/2' CLEAR ABOVE BOTTOM OF SLAB. REINFORCING STEEL IS TO BE SECURELY WIRED IN PLACE AND ADEQUATELY SUPPORTED ON BAR CHAIRS BEFORE CONCRETE IS POURED. I.M. 451.01 REQUIREMENTS SHALL APPLY FOR BAR CHAIRS.

**HALF SECTION NEAR PIER**

SLAB CROSS-SECTIONAL AREA FOR BARRIER RAIL = 78.66 SQ. FT.



**PLACEMENT FOR LONGITUDINAL REINFORCEMENT**



**FORM CAMBER DIAGRAM**

THIS DIAGRAM SHOWS THE FORM CAMBER REQUIRED TO COMPENSATE FOR THE ANTICIPATED ULTIMATE DEAD LOAD DEFLECTION. THE ABOVE DIMENSIONS DO NOT INCLUDE ANY ALLOWANCE FOR FORM DEFLECTION OR FALSEWORK SETTLEMENT.

08-2020 LATEST REVISION DATE  APPROVED BY BRIDGE ENGINEER	
	STANDARD DESIGN - 44' ROADWAY, 3 SPAN BRIDGES <b>CONTINUOUS CONCRETE SLAB BRIDGES</b> NOVEMBER, 2006
	<b>SUPERSTRUCTURE DETAILS</b> <b>120'-0 BRIDGE</b>

**J44-12-06**