


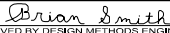
SIGN PLACEMENT ON  
TYPE III BARRICADES



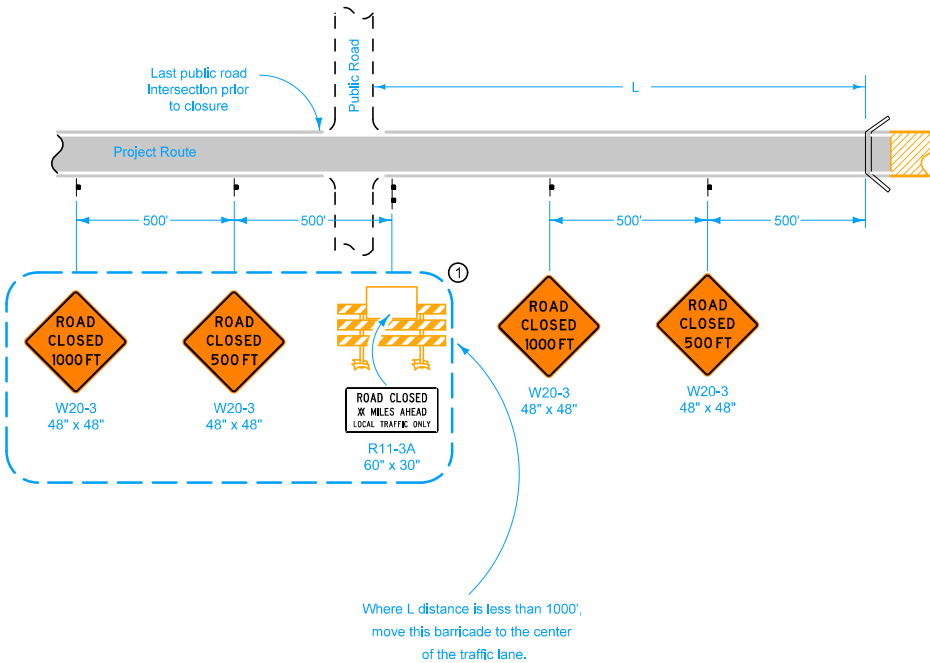
Typical Sign Placement



Sign Placement with  
Supplemental Sign

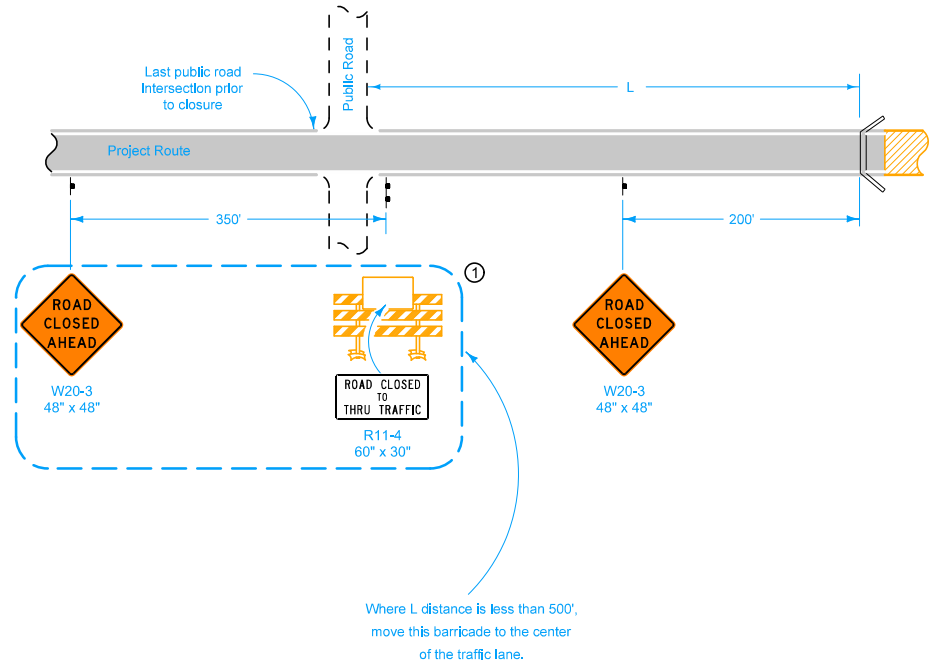
	REVISION	
	4	04-21-15
<b>STANDARD ROAD PLAN</b>	<b>TC-252</b>	
	SHEET 1 of 3	
<small>REVISIONS: Replaced R11-4 sign with R11-3A in Situation 1. Removed R11-4 signs in Situation 3. Changed circle note 2 to apply based on distance to road.</small>		
 <small>APPROVED BY DESIGN METHODS ENGINEER</small>		
<b>ROUTES CLOSED TO TRAFFIC</b>		

**SITUATION 1 (RURAL)**  
Project Route Closure



Where L distance is less than 1000',  
move this barricade to the center  
of the traffic lane.

**SITUATION 1 (URBAN)**  
Project Route Closure



Where L distance is less than 500',  
move this barricade to the center  
of the traffic lane.

LEGEND	
	Traffic Sign
	Type III Barricade
	Work Area
	Road Closure

① In situation 1, if the intersection is the point of detour these signs and barricade will become the responsibility of the contracting authority and may be modified by the contracting authority to fit detour signing.

Possible Contract Items:

Traffic Control  
Safety Closures

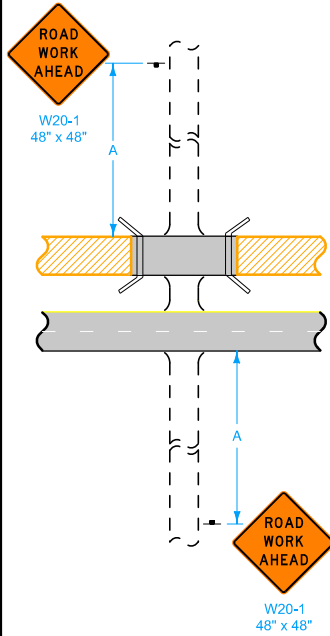
Possible Tabulation:

108-13A

 <b>STANDARD ROAD PLAN</b>	REVISION 4   04-21-15
	<b>TC-252</b>
	SHEET 2 of 3
REVISIONS: Replaced R11-4 sign with R11-3A in Situation 1. Removed R11-4 signs in Situation 3. Changed circle note 2 to apply based on distance to road.	
 APPROVED BY DESIGN METHODS ENGINEER	
ROUTES CLOSED TO TRAFFIC	

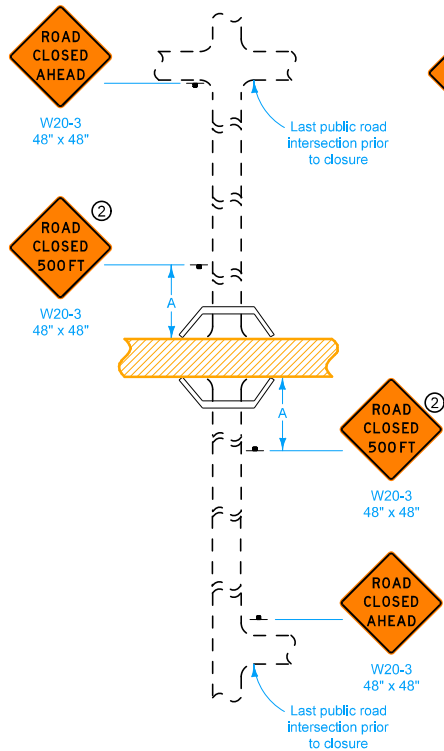
**SITUATION 2**

Public cross-traffic maintained.  
No access to project.



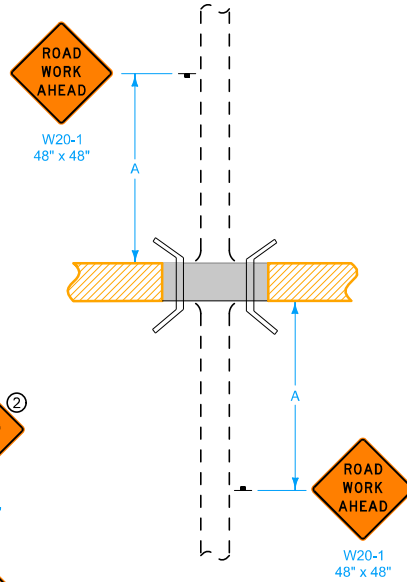
**SITUATION 3**

No access to project  
(Applicable to T-Intersections)



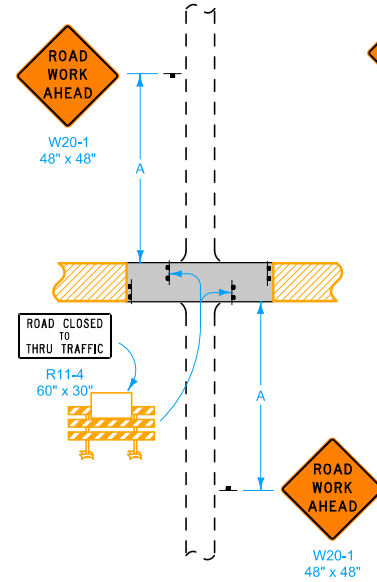
**SITUATION 4**

Public cross-traffic maintained.  
No access to project.



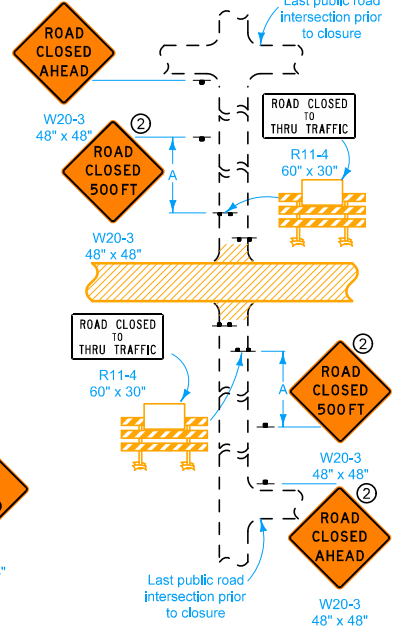
**SITUATION 5**

Public cross-traffic maintained.  
Contractor and resident access.



**SITUATION 6**

No public access. Contractor and resident  
access only. (Applicable to T-Intersections)



**LEGEND**

- Traffic Sign
- Type III Barricade
- Work Area
- Road Closure

Location	A
Urban	200'
Rural	500'

During suspension of work, (such as over winter):

- Use Situation 2 on two-lane to four-lane projects.
- Situation 5 is preferred where cross-traffic is maintained.

② When the distance between the last public road intersection and the ROAD CLOSED TO THRU TRAFFIC barricade is less than 1,000 feet, omit the ROAD CLOSED 500 FT sign.

 <b>STANDARD ROAD PLAN</b>	REVISION 4 04-21-15
	<b>TC-252</b>
	SHEET 3 of 3
REVISIONS: Replaced R11-4 sign with R11-3A in Situation 1. Removed R11-4 signs in Situation 3. Changed circle note 2 to apply based on distance to road.	
 APPROVED BY DESIGN METHODS ENGINEER	
ROUTES CLOSED TO TRAFFIC	