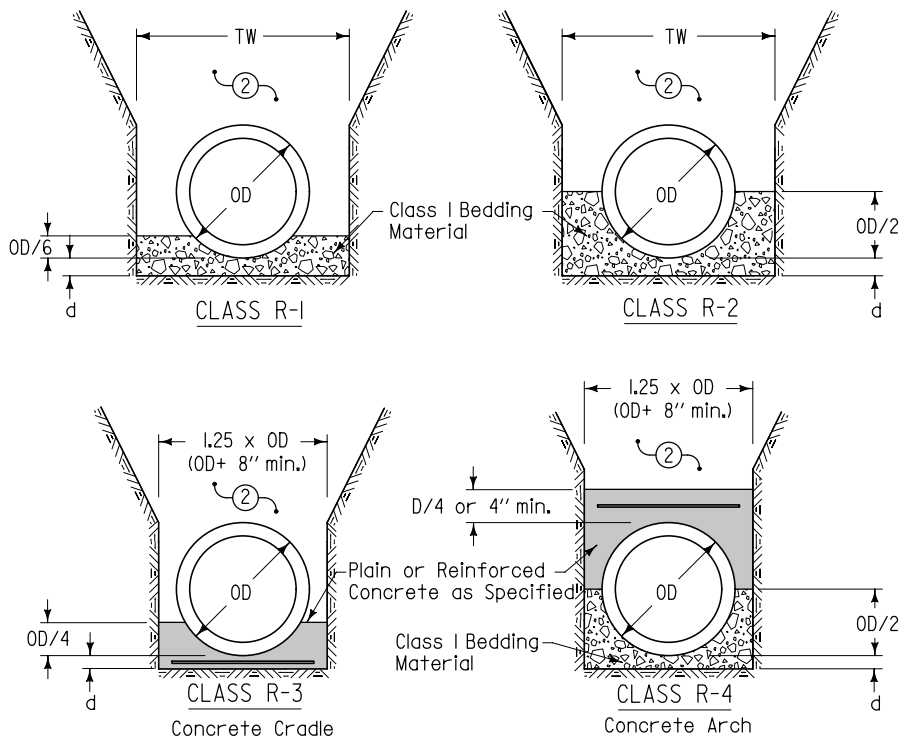
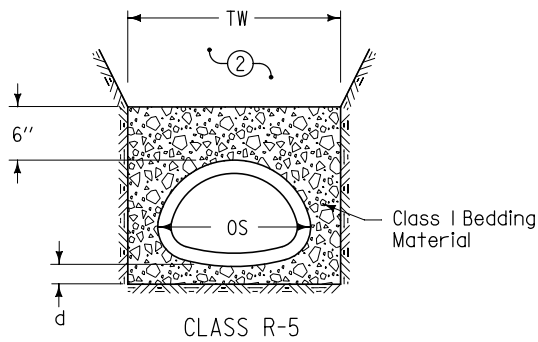


RCP AND VCP PIPE BEDDING ①



REINFORCED CONCRETE ARCH PIPE BEDDING



Refer to sheet 2 for bury depth restrictions.

- ① Use Bedding Class R-1 or R-2 unless specified otherwise.
- ② Place remainder of bedding and backfill materials as specified in the contract documents.

Key

- OD = Outside diameter of pipe
- OS = Outside span of pipe
- TW = Trench width at top of pipe:
Min. = $OD + 18$ inches
Max. = $1.25 \times OD + 12$ inches OR
54 inches (whichever is greater)
- d = Depth of bedding material below pipe:
 $OD/8$ or $OS/8$, OR 4 inches
(whichever is greater)

FIGURE 3010.102 SHEET 1 OF 2

		REVISION
		NEW 04-21-09
FIGURE 3010.102	STANDARD ROAD PLAN	SW-102
		SHEET 1 of 2
REVISIONS: New. Replaces SUDAS Figures 3010.3, 3010.7, and 3010.8.		
SUDAS DIRECTOR		DESIGN METHODS ENGINEER
RIGID GRAVITY PIPE TRENCH BEDDING		

ALLOWABLE BURY DEPTH

CLASS III RCP

Pipe Diameter (inches)	Class R-1 Bedding	Class R-2 Bedding	Class R-3 & R-4 Bedding		
			No Steel	As=0.4%	As=1.0%
12	7'	10'	15'	19'	27'
15	8'	10'	16'	19'	27'
18	8'	11'	16'	20'	40'
21	8'	11'	18'	26'	40'
24	8'	12'	23'	36'	40'
27	10'	15'	30'	40'	40'
30	11'	15'	29'	40'	40'
33	11'	15'	28'	40'	40'
36	11'	15'	27'	40'	40'
42	11'	15'	26'	38'	40'
48	11'	15'	26'	36'	40'
54	11'	15'	25'	34'	40'
60	11'	15'	25'	33'	40'
66	11'	15'	24'	32'	40'
72	11'	15'	24'	32'	40'

As = Area of Steel Reinforcing

CLASS IV RCP

Pipe Diameter (inches)	Class R-1 Bedding	Class R-2 Bedding	Class R-3 & R-4 Bedding		
			No Steel	As=0.4%	As=1.0%
12	12'	15'	23'	28'	40'
15	12'	16'	23'	30'	40'
18	13'	16'	29'	40'	40'
21	13'	18'	40'	40'	40'
24	16'	23'	40'	40'	40'
27	19'	30'	40'	40'	40'
30	19'	29'	40'	40'	40'
33	19'	28'	40'	40'	40'
36	19'	28'	40'	40'	40'
42	18'	27'	40'	40'	40'
48	18'	26'	40'	40'	40'
54	18'	25'	40'	40'	40'
60	18'	25'	40'	40'	40'
66	18'	25'	40'	40'	40'
72	18'	24'	40'	40'	40'

As = Area of Steel Reinforcing

CLASS V RCP

Pipe Diameter (inches)	Class R-1 Bedding	Class R-2 Bedding	Class R-3 & R-4 Bedding		
			No Steel	As=0.4%	As=1.0%
12	18'	23'	35'	40'	40'
15	19'	24'	40'	40'	40'
18	19'	30'	40'	40'	40'
21	25'	40'	40'	40'	40'
24	34'	40'	40'	40'	40'
27	40'	40'	40'	40'	40'
30	40'	40'	40'	40'	40'
33	40'	40'	40'	40'	40'
36	40'	40'	40'	40'	40'
42	37'	40'	40'	40'	40'
48	35'	40'	40'	40'	40'
54	33'	40'	40'	40'	40'
60	32'	40'	40'	40'	40'
66	31'	40'	40'	40'	40'
72	31'	40'	40'	40'	40'

As = Area of Steel Reinforcing

EXTRA STRENGTH VCP

Pipe Diameter (Inches)	Class R-1 Bedding	Class R-2 Bedding	Class R-3 & R-4 Bedding		
			No Steel	As=0.4%	As=1.0%
6	25'	30'	30'	30'	30'
8	20'	26'	30'	30'	30'
10	18'	23'	30'	30'	30'
12	16'	20'	30'	30'	30'
15	15'	19'	28'	30'	30'
18	14'	18'	30'	30'	30'
21	15'	22'	30'	30'	30'
24	18'	28'	30'	30'	30'
27	20'	30'	30'	30'	30'
30	19'	29'	30'	30'	30'
33	20'	30'	30'	30'	30'
36	20'	30'	30'	30'	30'
39	19'	29'	30'	30'	30'
42	18'	26'	30'	30'	30'

As = Area of Steel Reinforcing

REINFORCED CONCRETE ARCH PIPE

Pipe Size (Inch by inch)	Equiv. Diameter (Inches)	Class A-III	Class A-IV
18 by 11	15	6'	11'
22 by 13	18	6'	11'
26 by 15	21	6'	13'
29 by 18	24	7'	15'
36 by 22	30	8'	15'
44 by 27	36	8'	14'
51 by 31	42	8'	15'
58 by 36	48	8'	15'
65 by 40	54	8'	15'
73 by 45	60	8'	14'
88 by 54	72	9'	14'

Based on Class R-5 bedding.

FIGURE 3010.102 SHEET 2 OF 2

SUDAS	Iowa Department of Transportation	REVISION NEW 04-21-09
		SW-102
FIGURE 3010.102	STANDARD ROAD PLAN	SHEET 2 of 2
REVISIONS: New. Replaces SUDAS Figures 3010.3, 3010.7, and 3010.8.		
 SUDAS DIRECTOR	 DESIGN METHODS ENGINEER	
RIGID GRAVITY PIPE TRENCH BEDDING		