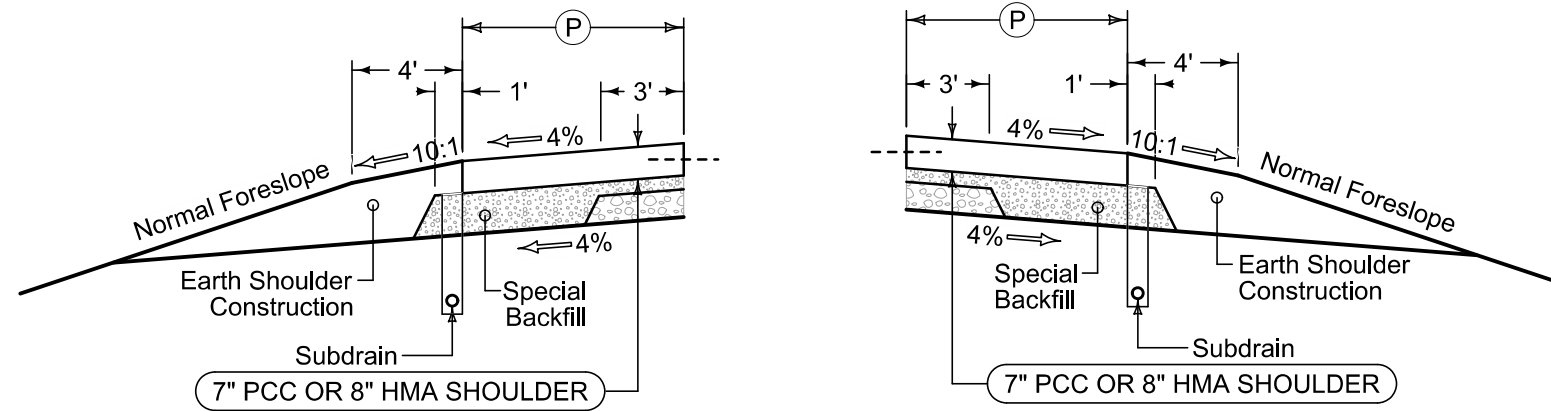


SHOULDERS

2 LANE



Paved Shoulder Alternates

PCC Shoulder Jointing:
 Longitudinal joint: BT-1 or BT-5
 Transverse joints: C at 17' spacing
 HMA Shoulder Jointing:
 Longitudinal joint: B

2_P_ALT_04-21-20		
STATION TO STATION	(P)	Feet