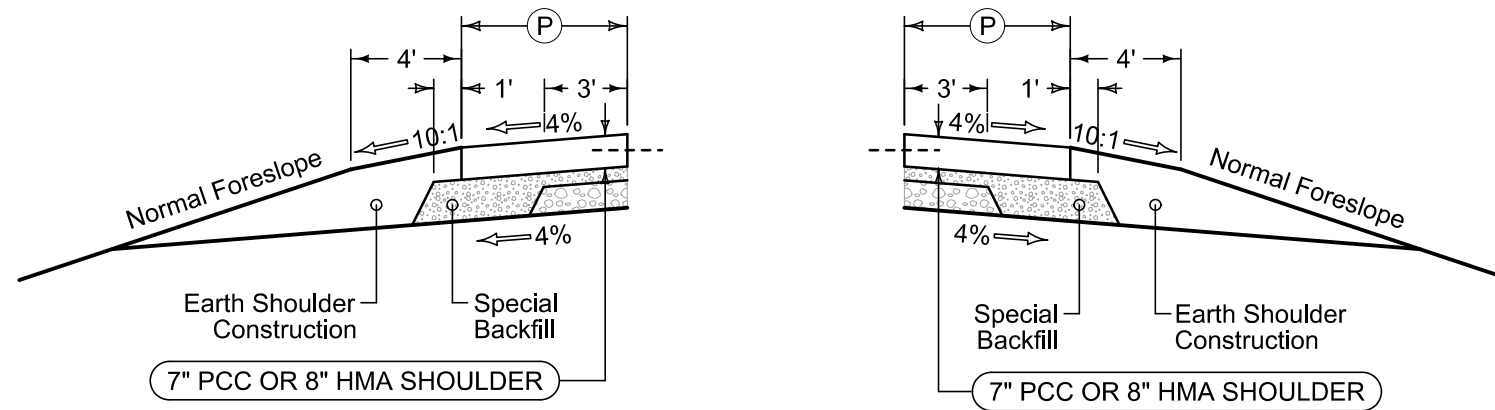


AUXILIARY LANE SHOULDERS

2 LANE



Auxiliary Lane Paved Shoulder Alternates

PCC Shoulder Jointing:
 Longitudinal joint: BT-1 or BT-5
 Transverse joints: C at 17' spacing
 HMA Shoulder Jointing:
 Longitudinal joint: B

2_AL_Shldr_ALT_ 04-21-20	
(P)	Feet