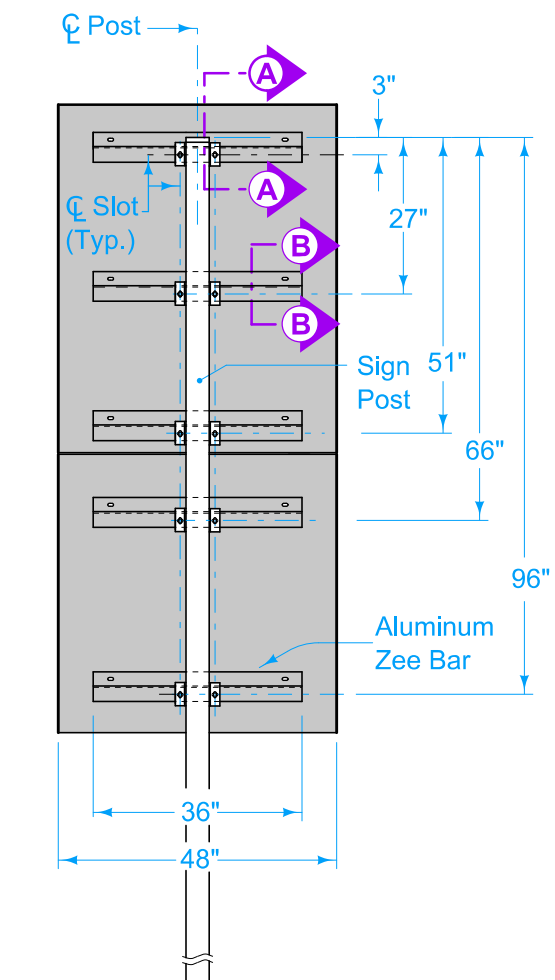


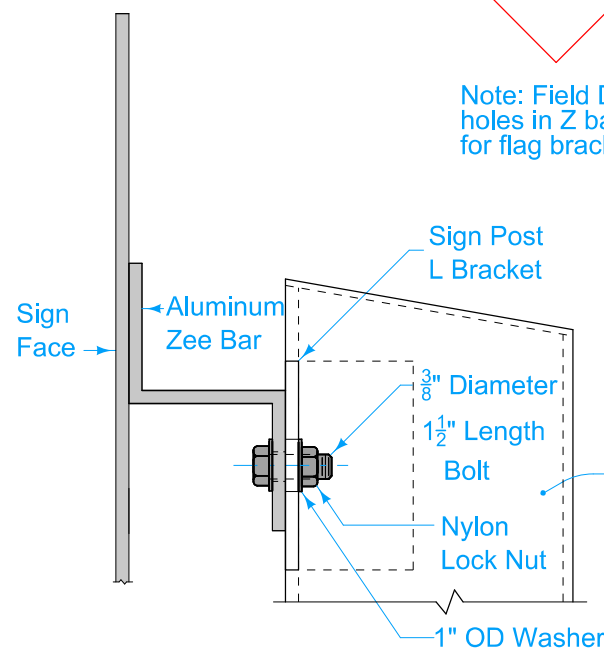
PLAN

*NOTE: Treated Wood or Perforated Square Tube Post

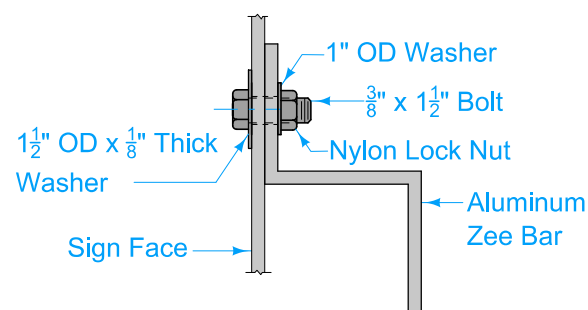
WOOD OR PERFORATED SQUARE TUBE POST ATTACHMENT



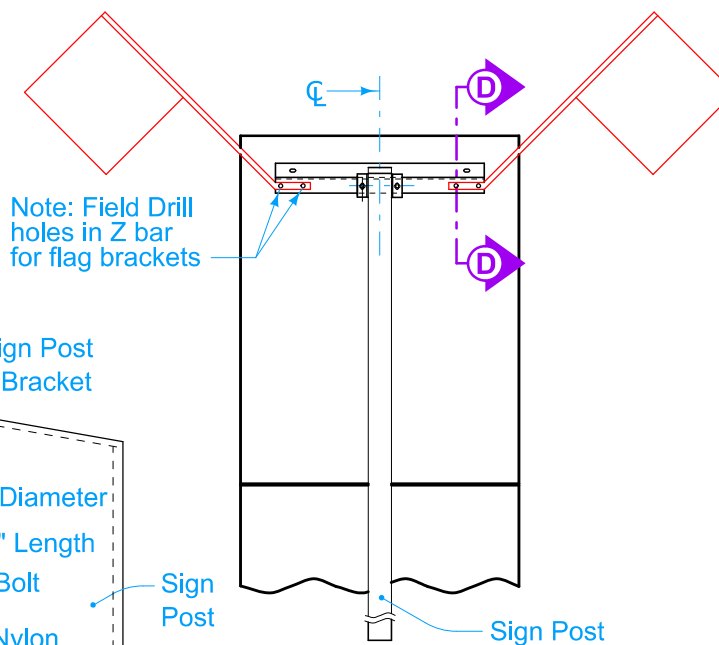
BACK ELEVATION
4" x 6" RECTANGULAR TUBE
POST ATTACHMENT DETAILS



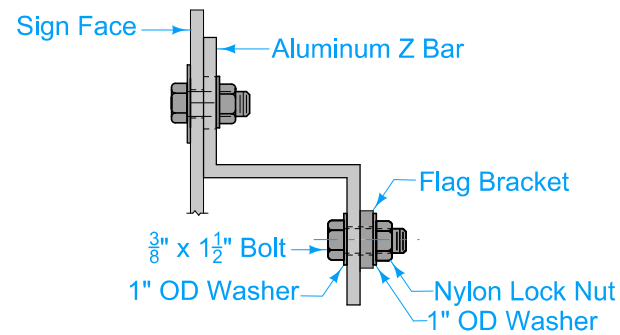
SECTION A-A



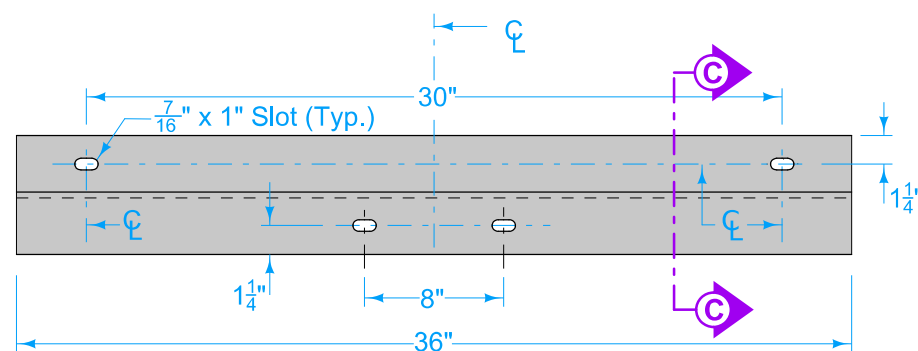
SECTION B-B



BACK ELEVATION
ATTACHMENT DETAILS
FOR FLAGS

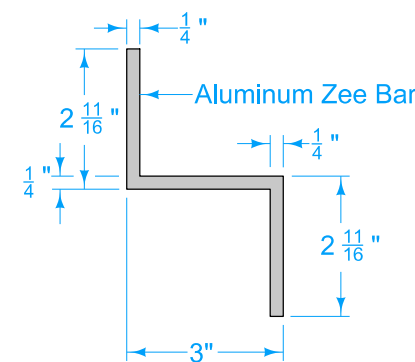


SECTION D-D



ALUMINUM ZEE BAR

RECTANGULAR TUBE
POST ATTACHMENT



SECTION C-C

Refer to SI-114 for details of steel breakaway sign post rectangular tube.

Possible Contract Items:
Steel Breakaway Sign Post
Wood Sign Post

 STANDARD ROAD PLAN	REVISION	
	4	10-18-16
	SI-131 SHEET 1 of 1	
REVISIONS: Replaced old Iowa DOT logo with new logo.		
 APPROVED BY DESIGN METHODS ENGINEER		

**INSTALLATION -
TYPE 'A' SIGNS**