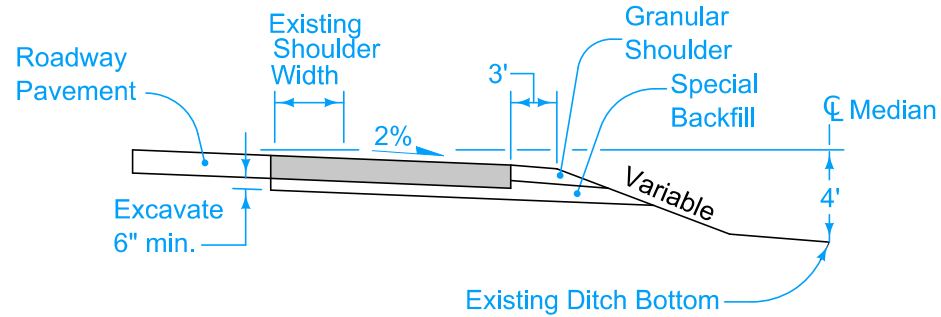
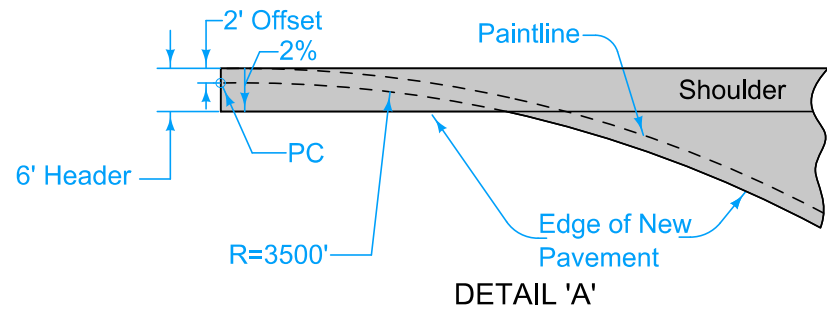


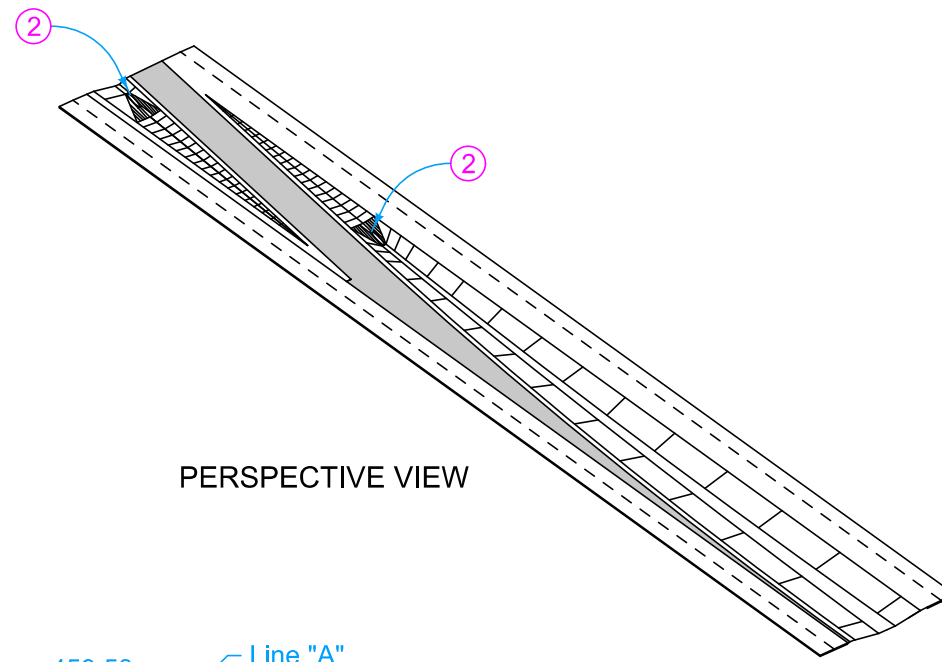
SECTION A-A



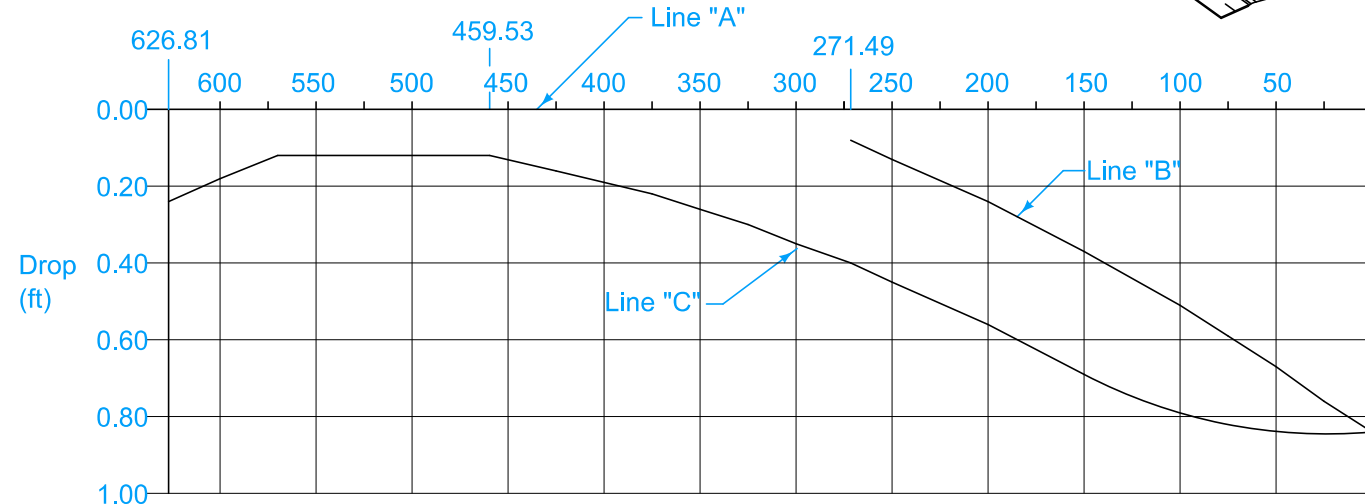
SECTION B-B



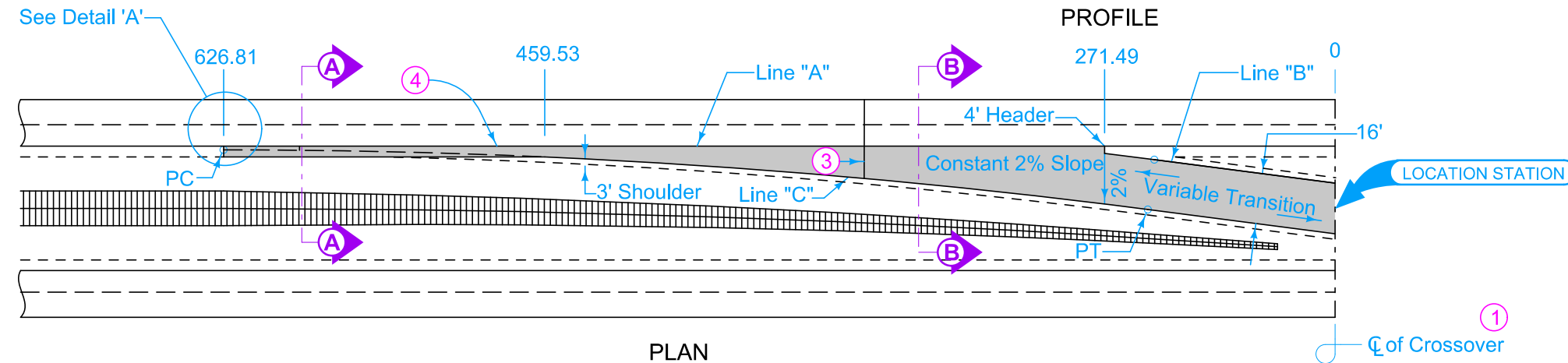
DETAIL 'A'



PERSPECTIVE VIEW



PROFILE



PLAN

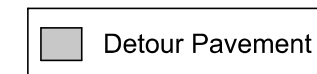
Detour Pavement options: 9" PCC or 12" HMA

For joint details, see PV-101.

- ① Median crossover is symmetrical about centerline.
- ② Median pipe for crossover. See DR-504.
- ③ For PCC Detour Pavement, match existing roadway joints. 'CD' joints are required.
- ④ 'KT-2' or 'L-2' joint if mainline pavement is new construction. Bend bars out. 'BT-3' joint if mainline pavement is existing. 'B' joint if Detour Pavement is HMA.

DESIGN QUANTITY TABLE		
Detour Pavement Sq. Yds.	Special Backfill Tons	Granular Shoulder Tons
1710	845	*320

*Quantity based on 8" shoulder depth.



Possible Contract Items:

- Detour Pavement
- Embankment In Place
- Excavation, Class 10, Roadway and Borrow
- Excavation, Class 13, Roadway and Borrow
- Granular Shoulder, Type A
- Removal of Pavement
- Special Backfill

Possible Tabulation:
112-8

	REVISION	
	1	04-21-20
STANDARD ROAD PLAN		PV-513
REVISIONS: New logo and modified circle note 2.		SHEET 1 of 1

TABLE OF OFFSETS AND DROPS																					
Distance (Feet)	626.81	600	575	550	500	459.53	425	400	375	350	325	300	271.49	250	200	150	100	75	50	25	0
Offset A to C (Feet)	6.00	6.00	6.00	6.00	6.00	6.00	7.82	9.36	11.07	12.96	15.04	17.29	20.08	22.34	28.12	34.63	41.87	45.77	49.85	55.95	58.11
Drop A to C (Feet)	0.24	0.18	0.13	0.12	0.12	0.12	0.16	0.19	0.22	0.26	0.30	0.35	0.40	0.45	0.56	0.69	0.79	0.82	0.84	0.85	0.84
Drop A to B (Feet)													0.08	0.13	0.24	0.37	0.51	0.59	0.67	0.76	0.84

APPROVED BY DESIGN METHODS ENGINEER

MEDIAN CROSSOVER
(100' MEDIAN)
16' WIDE 1 LANE