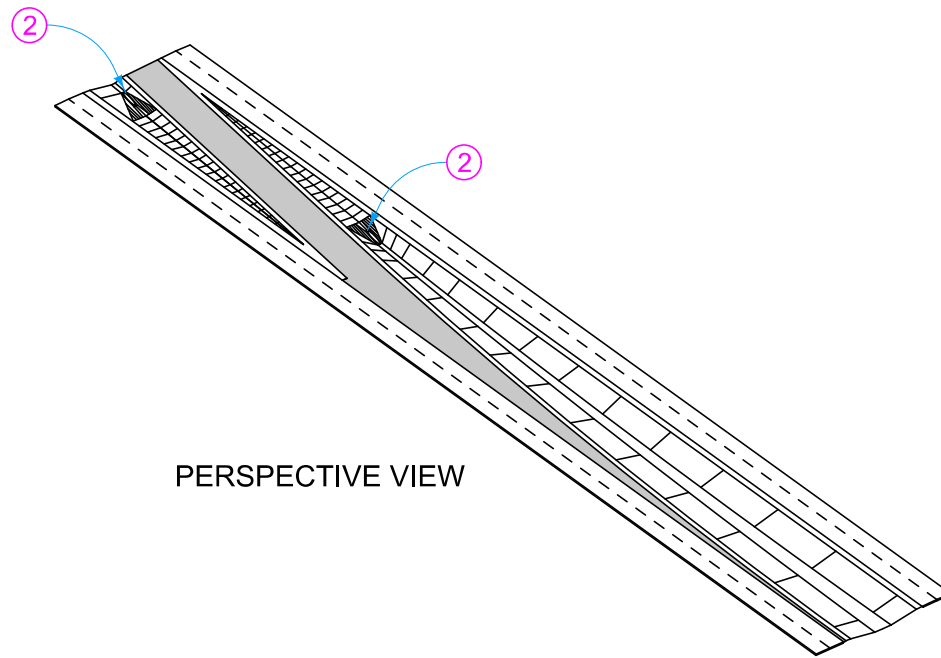


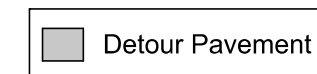
Distance (Feet)	517.98	500	450	400	350.69	350	325	300	275	250	225	200	175	162.66	150	125	100	75	50	25	0
Offset A to C (Feet)	6.00	6.00	6.00	6.00	6.00	6.03	7.32	8.79	10.44	12.79	14.28	16.47	18.84	20.08	21.40	24.13	27.05	30.15	33.42	36.75	40.07
Drop A to C (Feet)	0.24	0.20	0.12	0.12	0.12	0.12	0.15	0.18	0.21	0.26	0.29	0.33	0.38	0.40	0.43	0.47	0.50	0.52	0.52	0.52	0.50
Drop A to B (Feet)														0.08	0.17	0.26	0.33	0.40	0.44	0.48	0.50



- Detour Pavement options: 9" PCC or 12" HMA  
For joint details, see PV-101.
- Median crossover is symmetrical about centerline.
  - Median pipe for crossover. See DR-504.
  - For PCC Detour Pavement, match existing roadway joints. 'CD' joints are required.
  - 'KT-2' or 'L-2' joint if mainline pavement is new construction. Bend bars out. 'BT-3' joint if mainline pavement is existing. 'B' joint if Detour Pavement is HMA.

Detour Pavement Sq. Yds.	Special Backfill Tons	Granular Shoulder Tons
1320	645	*235

\*Quantity based on 8" shoulder depth.



- Possible Contract Items:
- Detour Pavement
  - Embankment In Place
  - Excavation, Class 10, Roadway and Borrow
  - Excavation, Class 13, Roadway and Borrow
  - Granular Shoulders, Type A
  - Removal of Pavement
  - Special Backfill

Possible Tabulation:  
112-8

	REVISION
	4   04-21-20
<b>STANDARD ROAD PLAN</b>	
<b>PV-504</b>	
SHEET 1 of 1	

REVISIONS: New logo and modified circle note 2.

APPROVED BY DESIGN METHODS ENGINEER

**MEDIAN CROSSOVER**  
**(64' MEDIAN)**  
**16' WIDE 1 LANE**