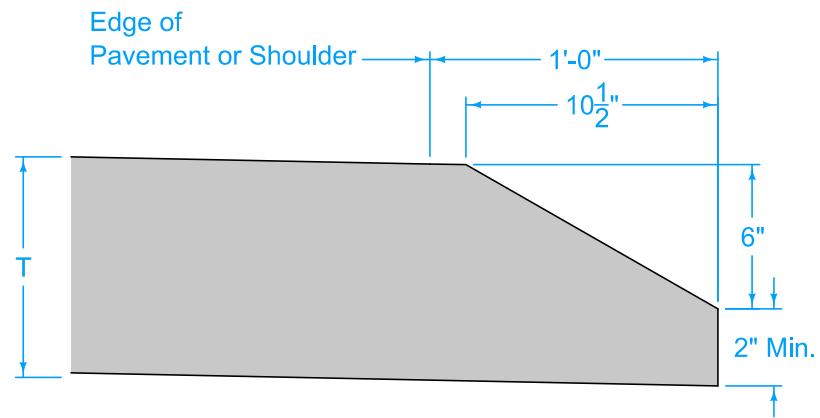


Quantities for Safety Edge are included in the estimated quantity of the pavement or shoulder. For HMA quantities calculated by area, the Safety Edge is measured as one foot of width regardless of thickness.

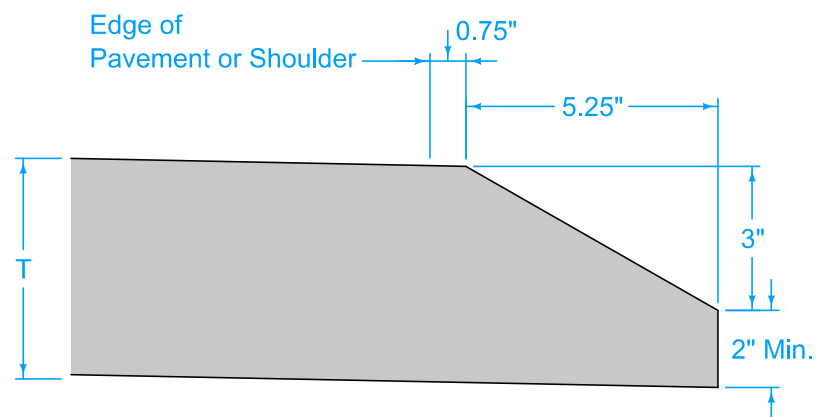
See paving typicals for placement within roadway.

The number of HMA lifts shown are for illustration purposes only.

- ① Material in excess of 1' width is contractor's option.
- ② Coverage thickness to exceed nominal maximum aggregate size.

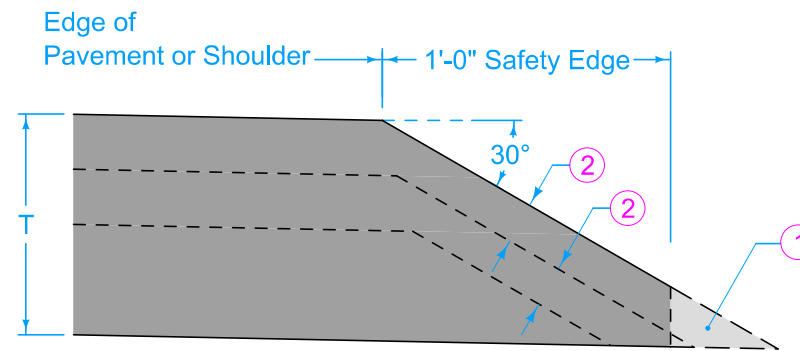


$T \geq 8"$

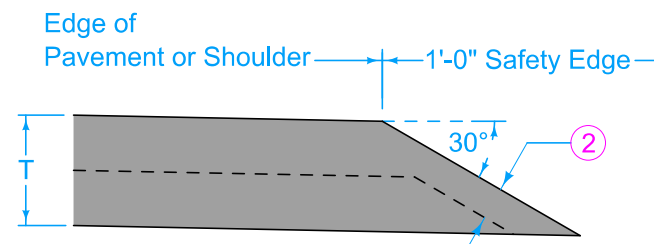


$5" \leq T < 8"$

PCC





$T \geq 8"$

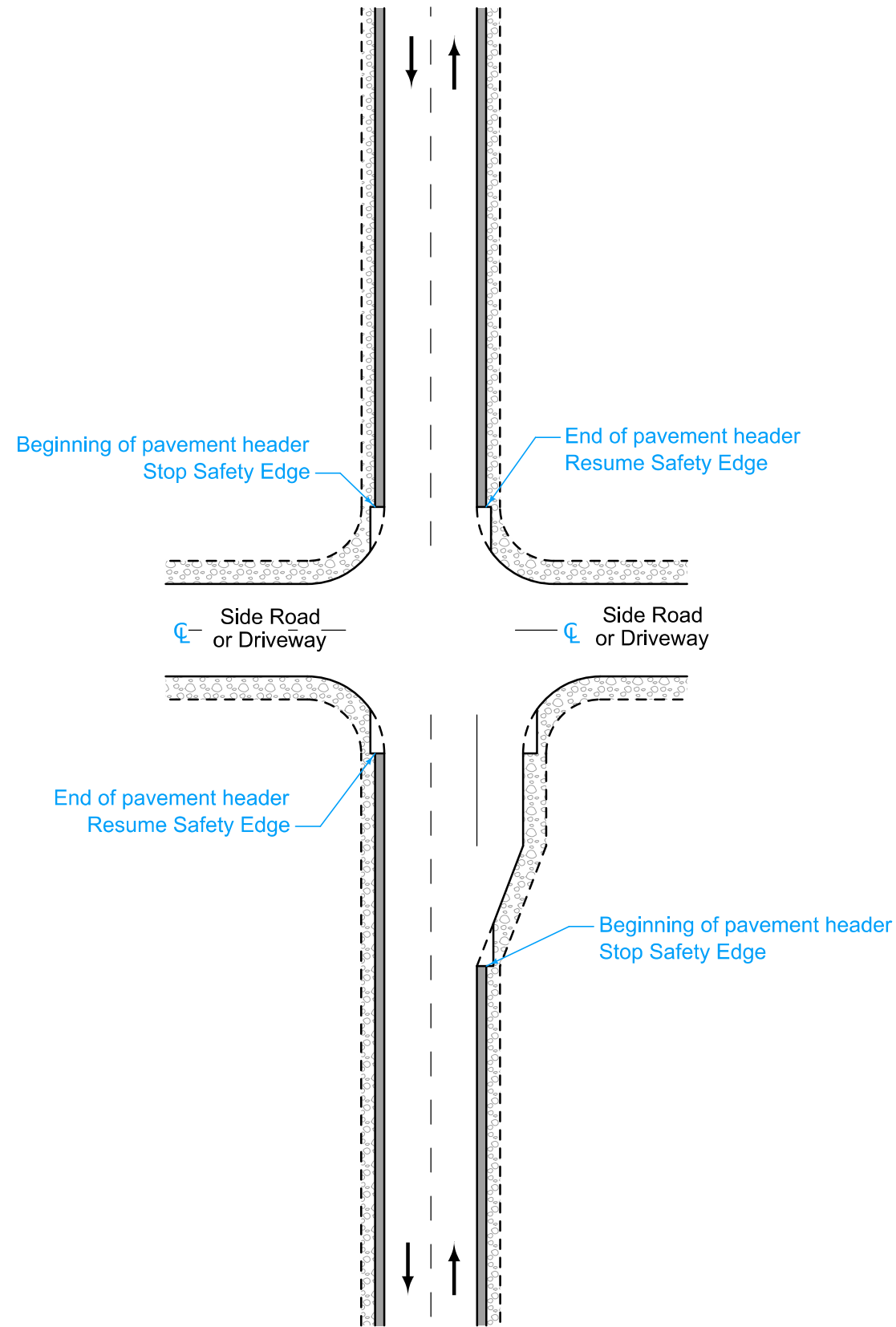


$T < 8"$

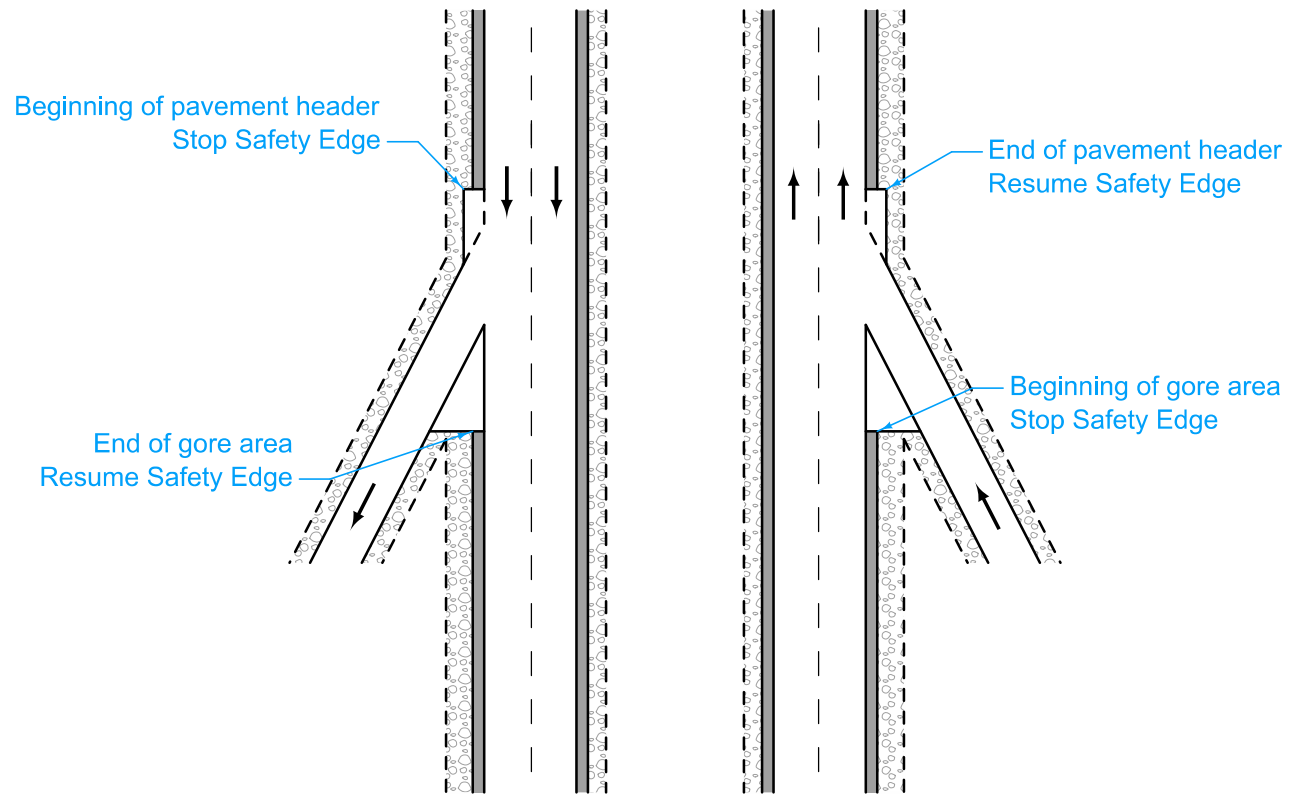
HMA

 <b>STANDARD ROAD PLAN</b>	REVISION	
	3	10-15-24
<b>PV-3</b>		SHEET 1 of 2
REVISIONS: Added detail for PCC between 5 inches and 8 inches.		
 <small>APPROVED BY DESIGN METHODS ENGINEER</small>		

**SAFETY EDGE**



AUXILIARY LANES  
AND INTERSECTIONS



RAMPS AND LOOPS

	REVISION	
	3	10-15-24
STANDARD ROAD PLAN		PV-3
		SHEET 2 of 2

REVISIONS: Added detail for PCC between 5 inches and 8 inches.

*Steve Miller*  
APPROVED BY DESIGN METHODS ENGINEER

SAFETY EDGE