

PLAN

Construct earth fill in conformance with requirements for construction of embankments.

Construct paved shoulder in front of guardrail as shown on Typical 7156, 7157, 7158.

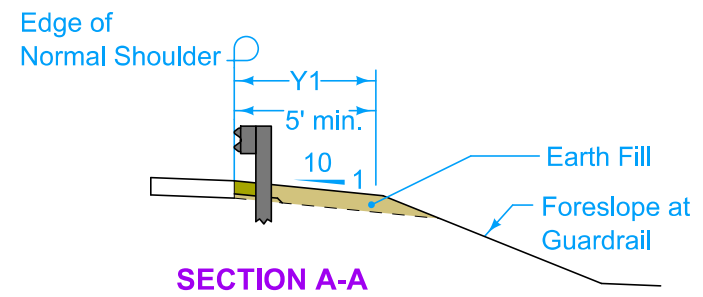
Guardrail may or may not be attached to face of obstacle.

① Match slope of adjacent shoulder.

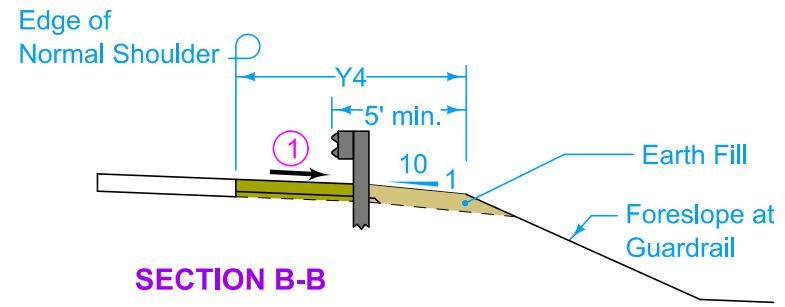
X Measured from Location Station.

Y Distance from edge of normal shoulder to toe of 10:1 slope

Possible Tabulation:
107-23



SECTION A-A



SECTION B-B

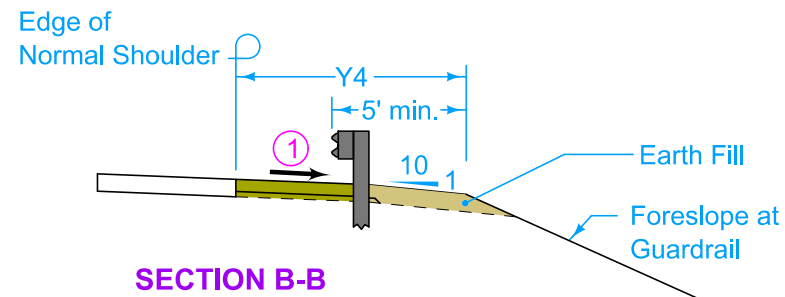
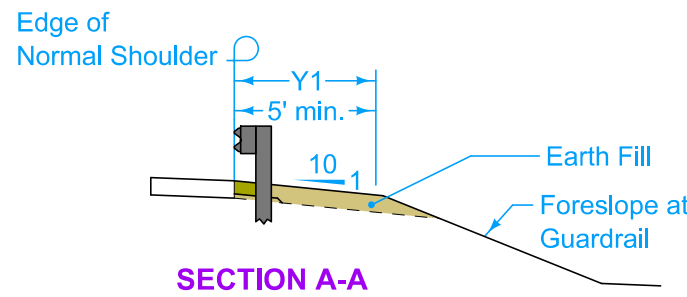
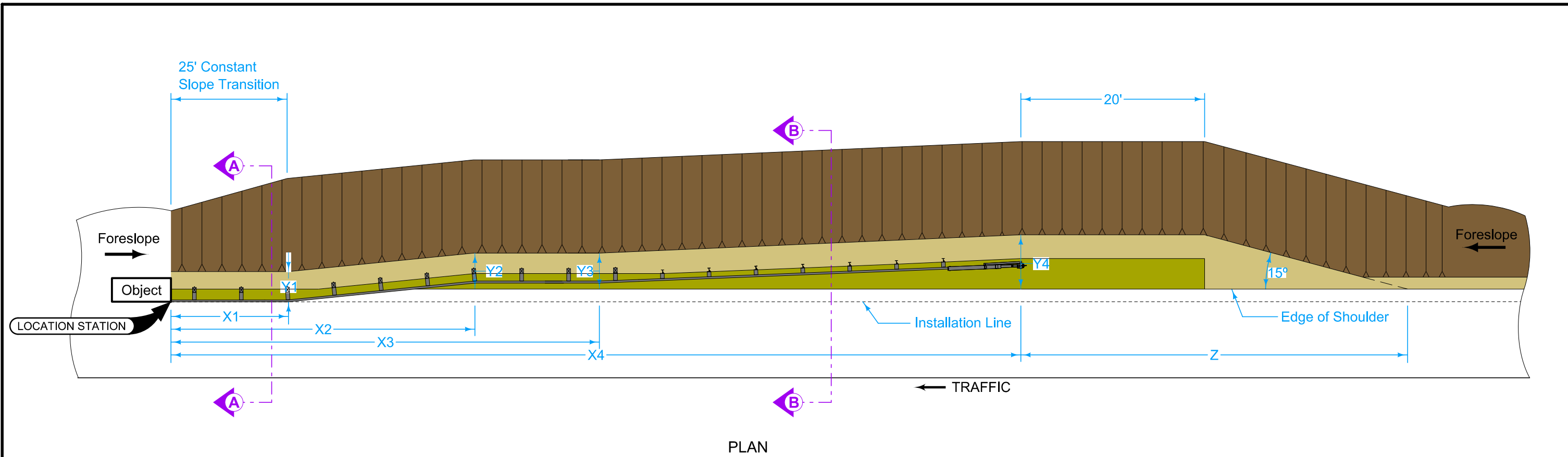
LEGEND

	Foreslope at Guardrail
	Slope - 10:1
	Match adjacent shoulder.

Y4 feet	Z feet
5	39
6	43
7	47
8	50
9	54
10	57
11	61
12	65
13	69
14	72
15	76
16	80
17	83
18	87
19	91
20	95

GUARDRAIL INSTALLATION LINE AT OR WITHIN 10 FEET OF SHOULDER

	REVISION	
	3	4-16-24
STANDARD ROAD PLAN		EW-301
SHEET 1 of 4		
<small>REVISIONS: Modified Section B-B details to include missing blockout. Modified graphical breakpoint for X4. Removed page 5. Added reference to 7157, 7158.</small>		
APPROVED BY DESIGN METHODS ENGINEER		
GUARDRAIL GRADING		



① Match slope of adjacent shoulder.

X Measured from Location Station.

Y Distance from edge of normal shoulder to toe of 10:1 slope

Y4 feet	Z feet
5	39
6	43
7	47
8	50
9	54
10	57
11	61
12	65
13	69
14	72
15	76
16	80
17	83
18	87
19	91
20	95

LEGEND

	Foreslope at Guardrail
	Slope - 10:1
	Match adjacent shoulder.

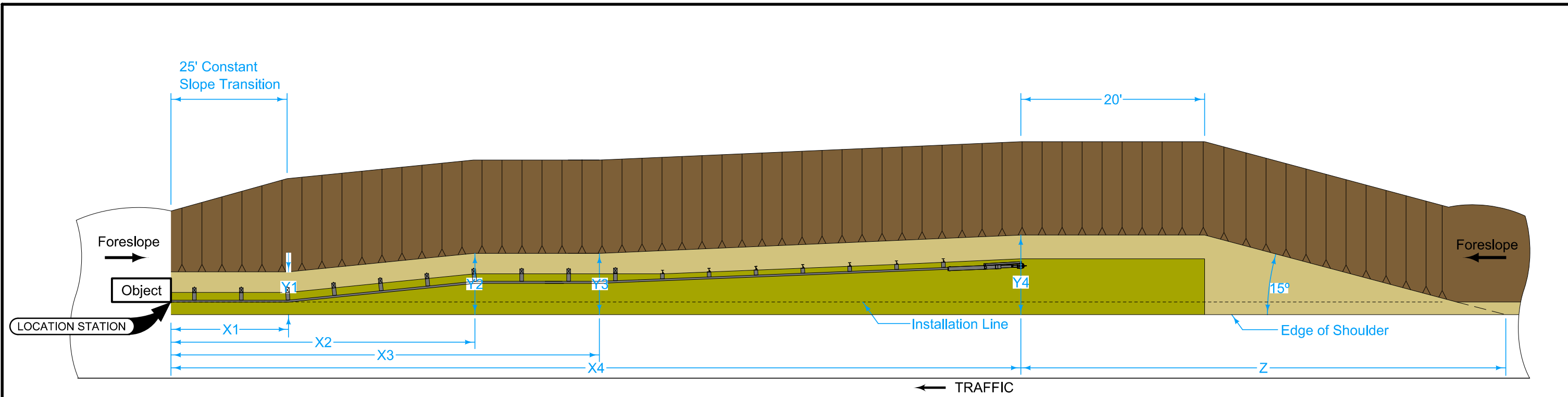
	REVISION	
	3	4-16-24
STANDARD ROAD PLAN		EW-301
SHEET 2 of 4		

REVISIONS: Modified Section B-B details to include missing blackout. Modified graphical breakpoint for X4. Removed page 5. Added reference to 7157, 7158.

Steve Miller
APPROVED BY DESIGN METHODS ENGINEER

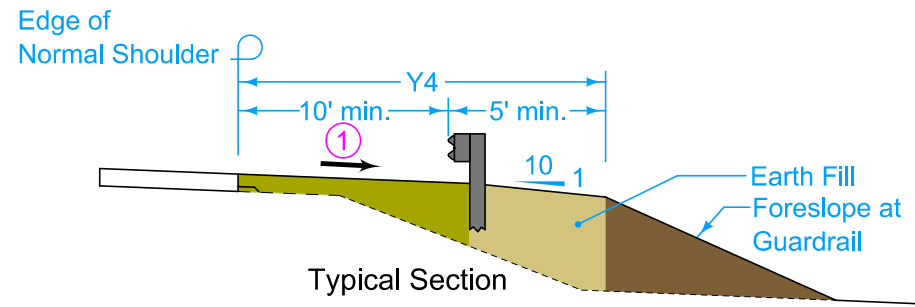
GUARDRAIL GRADING

GUARDRAIL INSTALLATION LINE WITHIN SHOULDER



PLAN

- ① Match slope of adjacent shoulder.
- X Measured from Location Station.
- Y Distance from edge of normal shoulder to toe of 10:1 slope



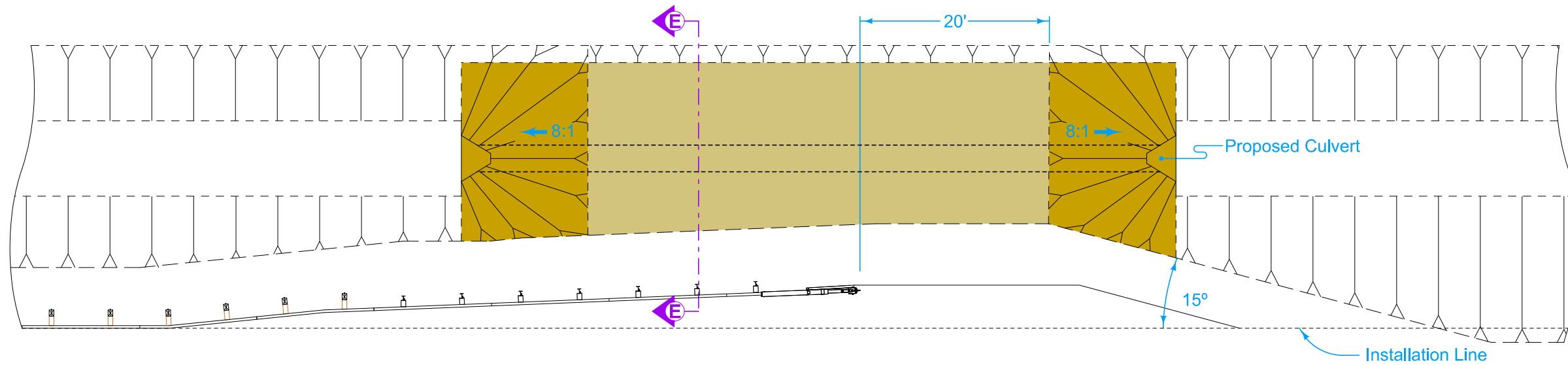
Typical Section

Y4 feet	Z feet
5	39
6	43
7	47
8	50
9	54
10	57
11	61
12	65
13	69
14	72
15	76
16	80
17	83
18	87
19	91
20	95

LEGEND	
	Foreslope at Guardrail
	Slope - 10:1
	Match adjacent shoulder.

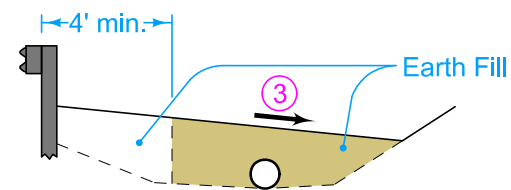
GUARDRAIL INSTALLATION LINE BEYOND 10 FEET FROM SHOULDER

	REVISION	
	3	4-16-24
STANDARD ROAD PLAN		EW-301
		SHEET 3 of 4
<small>REVISIONS: Modified Section B-B details to include missing blockout. Modified graphical breakpoint for X4. Removed page 5. Added reference to 7157, 7158.</small>		
<small>APPROVED BY DESIGN METHODS ENGINEER</small>		
GUARDRAIL GRADING		



PLAN

- ② See sheets 1, 2, or 3 for unshaded areas.
- ③ 10:1 preferred; no steeper than 6:1.



SECTION E-E

LEGEND	
	Slope - 10:1
	Slope - 8:1

FILL OVER PIPE CULVERT ②

	REVISION	
	3	4-16-24
STANDARD ROAD PLAN		EW-301
		SHEET 4 of 4

REVISIONS: Modified Section B-B details to include missing blockout. Modified graphical breakpoint for X4. Removed page 5. Added reference to 7157, 7158.

Steve Miller
APPROVED BY DESIGN METHODS ENGINEER

GUARDRAIL GRADING